

# FLOS

## ROMEO BABE S

<b>Mounting</b>	Pendant
<b>Type of ceiling pendant</b>	Suspension cable
<b>Lamps description</b>	1 x MAX 33W G9 HSGS or 1 LED 2,3W G9 200lm 3000K
<b>Environment</b>	Indoor
<b>Finish</b>	Glass
<b>Technical description</b>	Suspension lamp providing diffused light. Acid-etched pressed borosilicate glass internal diffuser. Pressed clear glass shade. Gray painted die-cast aluminum diffuser support.

## ELECTRICAL

<b>Emergency</b>	Without
<b>Voltage (V)</b>	230

## PHYSICAL

<b>Supply</b>	Terminal block
<b>Cord length (mm)</b>	2800
<b>Construction material</b>	Glass
<b>Weight (kg)</b>	0.4



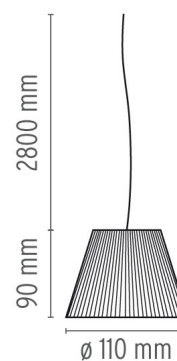
## Romeo Babe S

designed by Philippe Starck

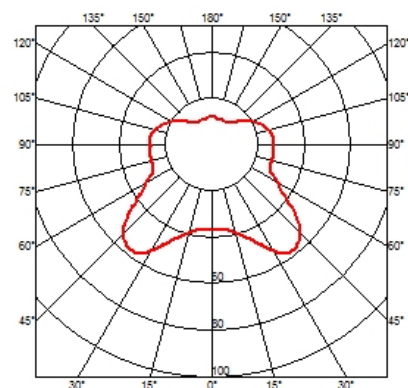
Suspension lamp providing diffused light

F6124000 Glass

## DIMENSIONS



## CERTIFICATIONS



## Romeo Babe S . Lamps



### HSGS 33W G9

**Lamp wattage:**  
33 W

**Lamp category:**  
Halogen mains

**Socket:**  
G9

**Lamp type:**  
HSGS



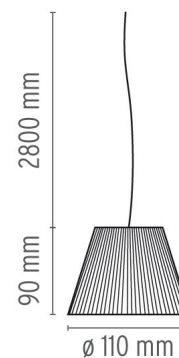
### Romeo Babe S

designed by Philippe Starck

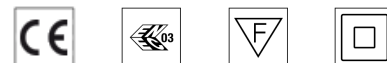
Suspension lamp providing diffused light

F6124000 Glass

### DIMENSIONS



### CERTIFICATIONS



IP  
20

