

FLOS

03.9460.40A White/White

Light Shadow Adjustable No Trim 12 Spots Optic Medium

Designed by FLOS Architectural



Recessed integrated luminaire with 12 LED lighting spots. Remote power supply included (220-240V).

Are you a professional and your project needs consulting and support?

[BOOK AN APPOINTMENT](#)

Main specifications

Mounting	Ceiling recessed
Environments	Indoor dry location
LED type	Power LED
Lamp category	LED
Ilcos	No
Number of heads	1
Power (W)	32.4
Source flux (lm)	3240
System flux (lm)	2696

Physical

Colour	White/White
Trim	No
Orientation	Adjustable
Longitudinal tilting (°)	30
Recessed depth (mm)	75
Length (mm)	429
Net weight (kg)	0.66
IP internal	20
IP external	20

Drawing Thumbnail

Download

Mounting instructions [↓ ZIP](#)

Photometric Files

LDT / IES [↓ ZIP](#)

Technical Drawings

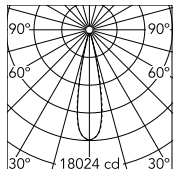
2D [↓ ZIP](#)

3D [↓ ZIP](#)

 Bim [↓ ZIP](#)



Schematic light drawing



Beam Angle: 22°

h(m)	E(lx)	D(m)
1	18024	0.39
2	4506	0.78
3	2003	1.17
4	1126	1.56
5	721	1.95

Luminous flux Luminaire
2696 lm (EXTREME CUT OFF)

Photometric

Lighting type	Direct
Light distribution	Symmetric
CCT (K)	2700
CRI>	90
Beam angle C0-180 (°)	22
Beam angle C90-270 (°)	22

Electrical

Insulation class	II
Frequency (Hz)	50/60
Main voltage (Vac)	220.00
Alternating current voltage (Vac)	230
LED voltage Vf (Vdc)	36
Driver	Remote included
Dimmable	No
Emergency type	No

Notes

It requires a pre-installation frame, to be ordered separately.

Accessories & Power Supply

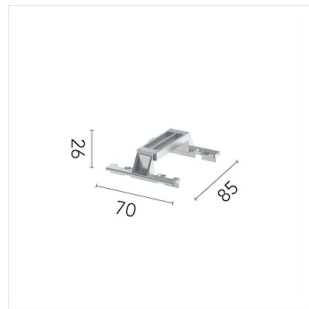


REQUIRED
Frame

Installation

08.0518.00

Pre-installation No Trim Frame
12L Fix Adjustable



OPTIONAL
Accessory

Mounting

08.0059.90

Accessory for mounting of No
Trim Adjustable continuous line.