

TAPE wall

29-May-2019

1.0

LED 8W | 220-240VAC | 50-60Hz | COB 3-step | incl. PS | phase-cut dim

CE IP65 0.3m

3000K | >90CRI | 420lm

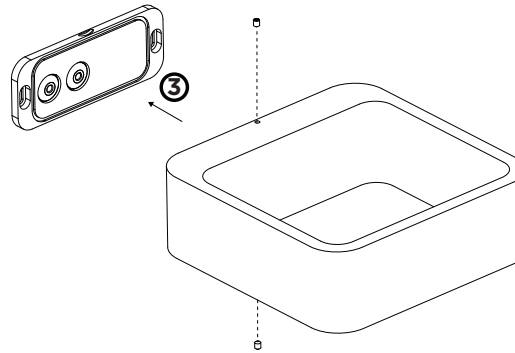
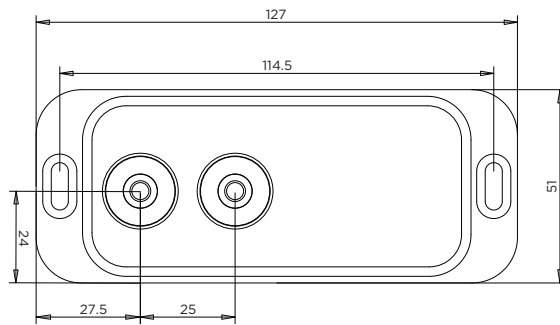
white texture

722174W5

dark grey texture

722174D5

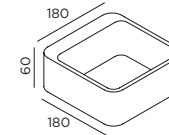
wall base dimensions



necessary for IP-rating

	A	B	C
use pin to make hole, not a knife			
CABLE			
TYPE	ROUND H05RN-F H07RN8-F H07RN-F	ROUND H05RN-F	ROUND
OUTSIDE Ø	min 6.8mm max 8.9mm	min 5mm max 6.8mm	min 1.5mm max 2.6mm
CONDUCTION SECTION	2or3x 0.75mm ² 2or3x 1.0mm ² 2or3x 1.5mm ²	2or3x 0.75mm ² 2x 1.0mm ²	0.75mm ² 1.5mm ²

DIMENSIONS



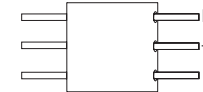
MOUNTING INSTRUCTION

- 1 Attach the wall base on the wall with screws

POWER CONNECTION

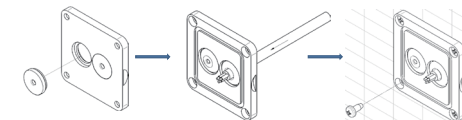
- 2 Make connection with the power supply

Interior: STANDARD version



Exterior: WATERPROOF Connection

IP-rated connections for wall fixtures: cable isolation for round cables \varnothing 4.5-7.5 mm, should be in the grommet. For cable use \varnothing 7.0-9.5 mm: replace the grommet with the other grommet in the bag.



Push the grommet into the back plate. Pull the cable through the back plate. Mount the back plate on the wall.

- 3 Attach the TAPE on the wall base with the side screws



WEVER & DUCRÉ
LIGHTING

www.weverducre.com

Wever & Ducré bvba Spinnerijstraat 99/21 8500 Kortrijk

INSTALLATION
INSTRUCTIONS