

## BESTLITE BL1 // TABLE LAMP, EU MODEL

BESTLITE COLLECTION

Designed by Robert Dudley Best

### PRODUCT



Item no.: 001-0110X  
+ style code

### DESCRIPTION

Bestlite has been in continuous production since 1930. Robert Dudley Best created Bestlite design. He was highly influenced by the Bauhaus. In the past 80 years, people appreciated the lamps and it decorates many homes, hotels and restaurants worldwide. Loved by architects, designers and design aficionados throughout its 80-year history, today, Bestlite enjoys global iconic status.

#### VERSION - BESTLITE TABLE LAMP BL1

Shade and base: Black, White or Off-White  
Tube and arm: Chrome

RAL codes are indicative.

- Fabric wire - Black:
- Black / White inside // RAL 9004 / RAL 9003 // Gloss level 8 / Gloss level 20
- Fabric wire - Off-White:
- Off-White / White inside // RAL 1015 / RAL 9003 // Gloss level 20 / Gloss level 20
- Fabric wire - White:
- White / White inside // RAL 9003 / RAL 9003 // Gloss level 20 / Gloss level 20

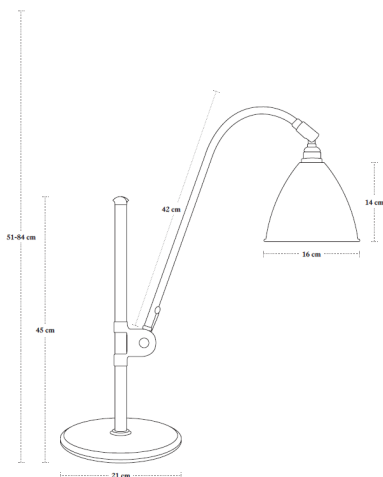
Please contact us for other colours or finishes.

### VERSION

Order item - look for part number in the pricelist.

Series contains the following:

**BL1, BL2**



### COLOURS



// White / Chrome

### FACTS

#### MEASUREMENT - L X W X H MM

Lamp height: 510-840 mm  
Lamp stand: Ø210 mm  
Shade height: 140 mm  
Shade diameter: Ø160 mm  
Cord - total length w/sw: App. 2500 mm  
Cord - exposed out of lamp: App. 2000 mm

#### WEIGHT ITEM - LAMP INCL. WIRE

3368 g

#### PACKAGING TYPE

White cardboard box w/ 5ply corrugated

#### PACKAGING MEASUREMENT - L X W X H CM

L:39 x W:62 x H:25 cm

#### WEIGHT PACKAGING - MATERIAL TYPE

- Paper Egg crate: 1106 g
- PE polybag: 100 g
- Bestlite key: 18 g
- PE polybag: 1 g
- Cardboard outside: 799 g
- Cardboard top: 85 g

#### WEIGHT PACKAGING - TOTAL

5477 g

#### NUMBER OF PARCELS

1 pcs.

#### LIGHT SOURCE:

- Socket: E14 base
- Recommended light source: *All fluorescens light bulbs*
- Recommended wattage: 9 W = (40 WATT incandescent bulbs)
- Max wattage: 13 W

- Recommended light source: *Halogen light bulb*
- Recommended wattage: 28 W = (40 WATT incandescent bulbs)
- It is possible to install with light dimmer

- All lamps can be fitted with a dimmer.  
Please contact your local electrician.

- Lightbulb not included

## BESTLITE BL1 // TABLE LAMP, EU MODEL

Designed by Robert Dudley Best

### CLEANING AND MAINTENANCE

Use a soft damp cloth when cleaning your Bestlite lamp. Do not use household cleaners.

### ACCESSORIES

Item no.: 001-99058A plug EU

### ENVIRONMENT

-

### TESTS

Class II IP20  
BS EN 60598-2-4:1998 with BS EN 60598-1:2000

### CERTIFICATION AND LABELS

CE-CERTIFIED

### STANDARD

STOCK - BL1: Table lamp

- Euro plug: Type C, 2 PIN, 2,5 amp
- Euro voltage: 230 V
- Frequency: 50 Hz
- Supply voltage: AC power ~
- Normally Closed IP20



Class II / Double insulated



CE-Mark



Luminaires accepted for mounting on a flammable base

### KOMPONENTS

- 01 // Shade
- 05 // Lamp holder
- 10 // Insulating ring
- 11 // Internal shade ring
- 12 // External shade ring
- 13 // Lamp holder cover
- 15 // Universal joint
- 16 // Bestlite arm
- 18 // Bestlite clip
- 19 // Bestlite nut
- 20 // Bestlite bolt
- 21 // Tension spring
- 22 // Fibre washer
- 23 // Cord grip
- 24 // Cord grip cover
- 25 // Acetate
- 26 // Top knob
- 28 // Tube
- 31 // Collar
- 33 // Base cover
- 36 // Feltac
- 38 // Textile covered cord
- 40 // Switch
- 14 // Bestlite key
- 58 // Plug

Item no.: 001-0110X



### MATERIAL

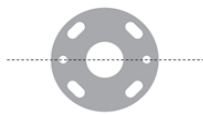
Shade and base: Powder coated aluminium  
Tube and arm: Chromed steel  
Textile covered cord

### INSTALLATION INSTRUCTIONS

The Bestlite key:

It's a practical tool that enables you to fasten the lamp arm. Simply use it like a screwdriver in the slot

1.7 handle for positioning.  
Cut out or make a groove, and use directly on your wall for accurate placing of the hole.  
Always use the following layout.



#### Technical information:

Light source: E14 40W maximum or A60 halogen bulb.  
Max power of max. energy light bulb.  
The lamp is not approved for outdoor use or use in damp/wet rooms.

#### Some advice on cleaning your Bestlite:

**Powder coated parts - base/neck and shade:**  
Wipe the parts with a damp cloth. Avoid to use water and a lot of mild detergent.

**Chrome plated parts:**  
Wipe the parts with a damp cloth and avoid to use too much water.  
If the surface is abraded use a mild polish inside suitable for chrome or other self metal.

Use only soft cloths for wiping and polishing, never sponges or steel wool.  
Do not use abrasive household cleaners.  
Do not use acids or alkaline cleaning products, glass cleaner or household ammonia.

BESTLITE - GUBI, København 7-7, DK-2100, Copenhagen, Denmark - www.bestlite.com



Dear Bestlite customer,  
Congratulations on your purchase!  
You have chosen a genuine design lamp, which has been meticulously produced and tested with care.  
At the same time, you have chosen a lamp that is easy to use and that will last for many years.  
Do not forget that the Bestlite lamp is a lamp that is made in Denmark.  
If you have any questions, please do not hesitate to contact us.  
We will be happy to assist you.

Best regards,  
Bestlite

**BESTLITE**  
STOCK - BL1

