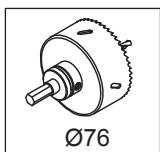
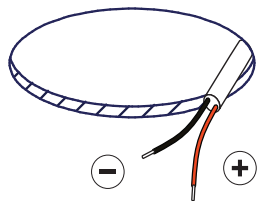


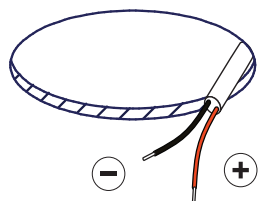
Smart Kup 82 Adjustable LED GE

133300XX - 133301XX - 133302XX - 133310XX - 133311XX - 133312XX - 133320XX - 133321XX - 133322XX

1

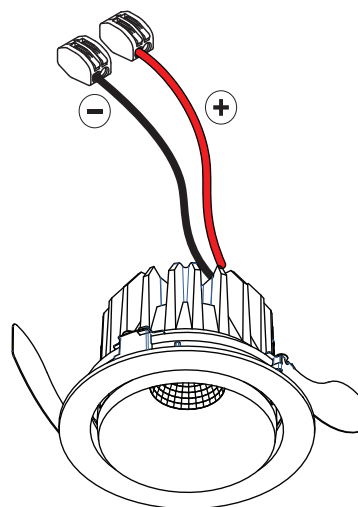


2

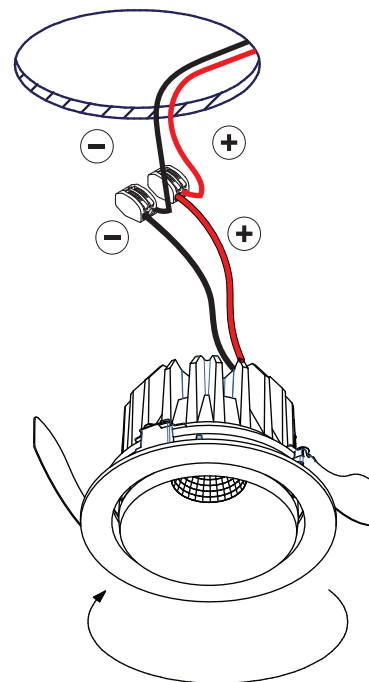


Drive Current (mA)	Forward Voltage		Power (W)
	min (Vf)	max (Vf)	
350	16,5	19,2	6,2
500	17,1	19,8	9,2

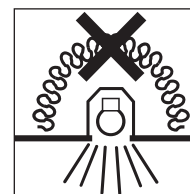
For serial connection, respect polarity!



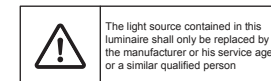
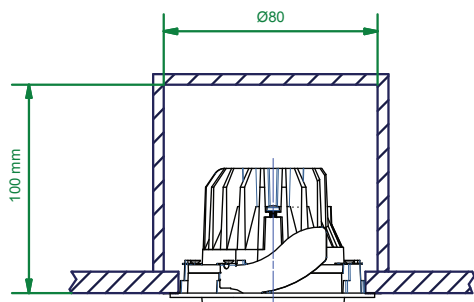
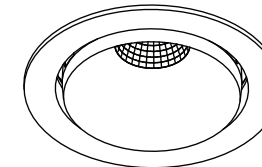
3



install : Twist clockwise
uninstall : Twist counterclockwise



4



The light source contained in this luminaire shall only be replaced by the manufacturer or his service agent or a similar qualified person

CAN BE USED WITH

Driver:
See driver matrix - latest version on website
www.supermodular.com or check sales contact

Accessories:
See catalogue or website

