

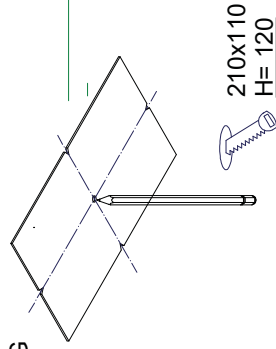
Mini multiple for smartrings 2x LED GE

125250XX_125251XX_125252XX

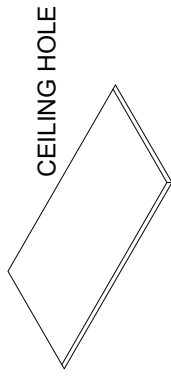
Lamp type : LED

Don't connect the gear to 230V before the LEDs are connected to the gear!

1 CEILING

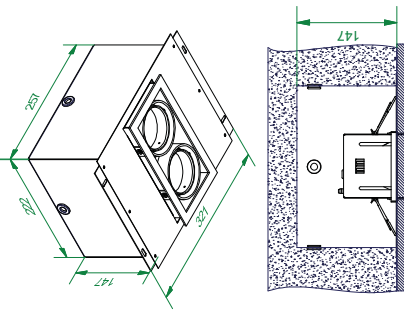


2

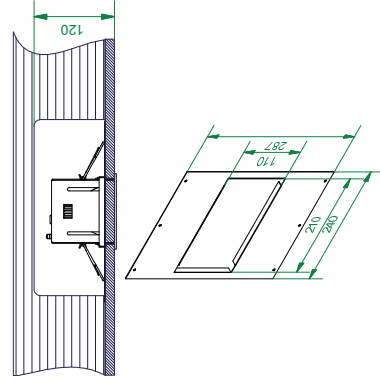


350mA - min 16,5Vf - max 19,2Vf - 6,2W
500mA - min 17,1Vf - max 19,8Vf - 9,2W

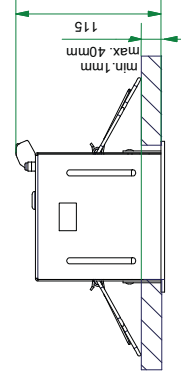
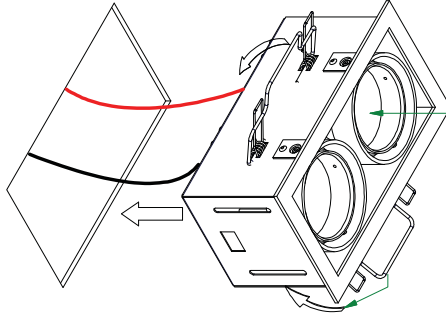
Conbox has to be combined with gypkit !!!
10400230+10420230



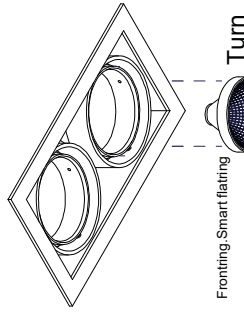
Gypkit : 10420230 Mini-multiple 2x gypkit



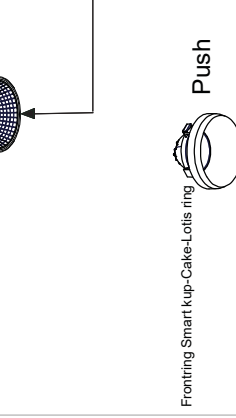
3



4



Turn
Fronting Smart flaring



Push
Fronting Smart cup-cake-Lotis ring

CAN BE USED WITH

10400230	Conbox 257x225x147x321	
10420230	Gypkit 240x287x210x110	
10212613	Color filter, DIA 70 Red	Only for fronting
10212614	Color filter, DIA 70 Yellow	Smart flat
10212616	Color filter, DIA 70 Blue	
10212617	Color filter, DIA 70 Green	
10212622	honeycomb DIA 70	
12553002	Fronting Smart flat medium black	
12553003	Fronting Smart flat medium white	
12553102	Fronting Smart flat floor white struc	
12553103	Fronting Smart flat floor white struc	
12553109	Fronting Smart flat floor w white struc	
12553202	Fronting Smart flat spot black	
12553203	Fronting Smart flat spot white struc	
12554202	Fronting Smart cake spot black	
12554209	Fronting Smart cake spot white struc	
12554302	Fronting Smart cake floor white struc	
12554009	Fronting Smart cake medium WStR	
12554102	Fronting Smart cake floor Black	
12554109	Fronting Smart cake floor WStR	
12555202	Fronting Smart lotis spot black	
12555209	Fronting Smart lotis spot white struc	
12556002	Fronting Smart lotis medium Black	
12556003	Fronting Smart lotis medium White	
12556102	Fronting Smart lotis floor Black	
12556109	Fronting Smart lotis floor WStR	
12556202	Fronting Smart cup spot black	
12556209	Fronting Smart cup spot white struc	
12556002	Fronting Smart cup medium Black	
12556009	Fronting Smart cup medium White	
12556102	Fronting Smart cup floor Black	
12556109	Fronting Smart cup floor WStR	



V2 - 03012018