

FLOS

■ F3179030 Black

IC Lights C/W2

Designed by Michael Anastassiades, 2014



Halogen - 205W

Wall-ceiling lamp providing diffused light. Frame in brass, brushed and transparent varnished or chrome steel. Blown glass opal diffuser.

Are you a professional and your project needs consulting and support?

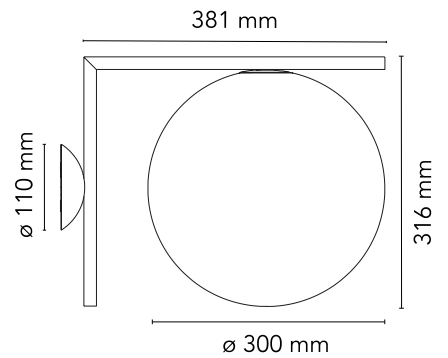
[BOOK AN APPOINTMENT](#)

Main specifications


| | |
|-------------------|--------------------------|
| Mounting | Ceiling and wall surface |
| Environments | Indoor dry location |
| Light Source Type | Bulb |
| Lamp category | Halogen |
| Lamp holders | E27 |
| Iicos | HSGS |
| Number of heads | 1 |
| Power (W) | 205 |


Physical

| | |
|---------------------|-------|
| Colour | Black |
| Length (mm) | 281 |
| Net weight (kg) | 2.7 |
| Package height (mm) | 0 |
| Package width (mm) | 0 |
| Package length (mm) | 0 |
| Package volume (m3) | 0.08 |
| IP internal | 20 |



Download

[Mounting instructions](#)  PDF

[Spare Parts](#)  PDF

Photometric Files

[LDT / IES](#)  LDT

Technical Drawings

[2D](#)  ZIP

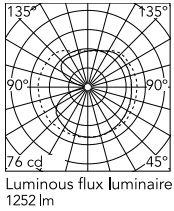
[3D](#)  ZIP

[Bim](#)  ZIP



| | |
|----|----|
| IK | IP |
| 05 | 20 |

Schematic light drawing



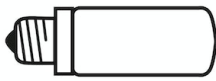
Photometric

| | |
|--------------------|------------|
| Lighting type | Total |
| Light distribution | Asymmetric |

Electrical

| | |
|----------------------|---|
| Insulation class | I |
| Frequency (Hz) | 50/60 |
| Main voltage (Vac) | 220-250 |
| LED voltage Vf (Vdc) | null |
| Dimmable | Yes |
| Dimming interface | Remote Dimmable (Dimmer Not Included) |
| Batteries inside | No |

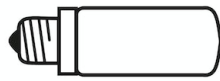
Bulbs



NOT INCLUDED

RF26259

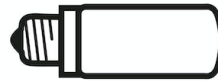
LED Lamp 18W E27 2700K
Dimmable



NOT INCLUDED

RF26258

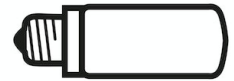
LED Lamp 18W E27 3000K T38
Dimmable



NOT INCLUDED

RF32288

LED Lamp E27 15W 2700K T38

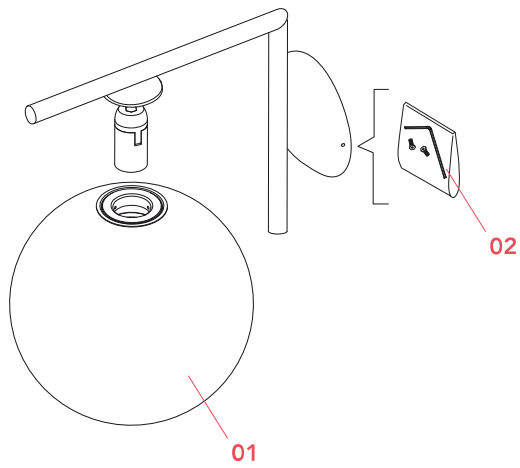


NOT INCLUDED

RF32289

LED Lamp E27 15W 3000K T38

Spare Parts



02. Kit with screws and allen key

RF3160100

DOWNLOAD



RF3160100

Kit with screws and allen key