

Colette ATD6 &Tradition 2022



Please read these instructions carefully and retain them for future reference to ensure the product is used correctly. For your own safety, please study each step of this instruction manual first. &Tradition is not responsible for any faults or damage caused by not following these instructions correctly. Do not modify this product in any way.

&Tradition®

Safety precautions

- Dispose of plastic bag from packaging immediately and keep out of reach of children.
- The lamp is only intended for interior use.
- Do not place the cable within reach of small children or anywhere there is a risk of it becoming a trip hazard.
- If the external cable or cord of the lamp is damaged, it must be replaced by the manufacturer or a similarly qualified person to avoid any potential hazards.
- Consult a professionally qualified electrician if in any doubt.
- Keep the product well out of reach of children.

Cleaning instructions

- Wipe surface of the shade with a dry cloth.
- Do not use any abrasive cleaning tools such as steel wool, scouring sponges or stiff brushes.
- Never use strong cleaning agents such as white spirit, turpentine, household glass cleaner or cellulose thinners.

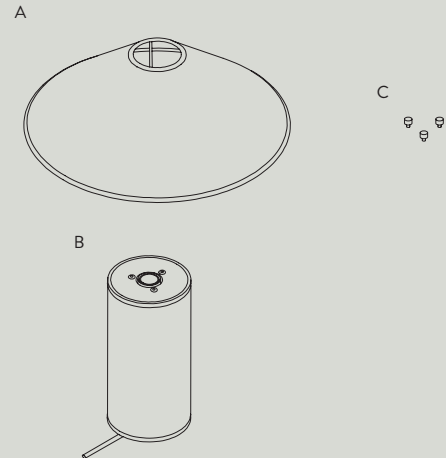
For indoor use only
E14 Maximum 40W
Bulb not included



Contents

- A Lampshade
- B Lamp base

C Screws



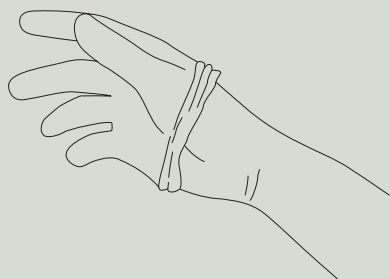
Tools needed

- Bulb type E14

Please follow steps 1 to 4 to assemble the product.

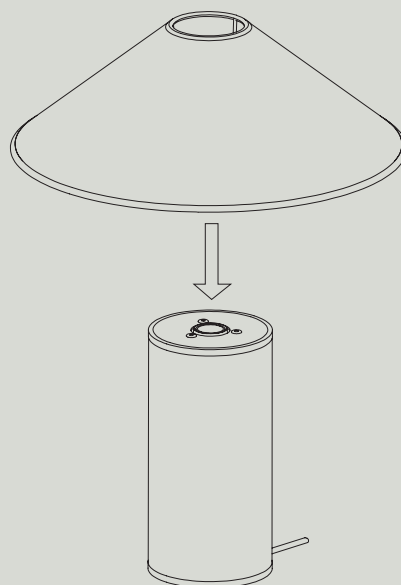
Step 1 / 4

Put on the gloves provided before assembling the lamp.



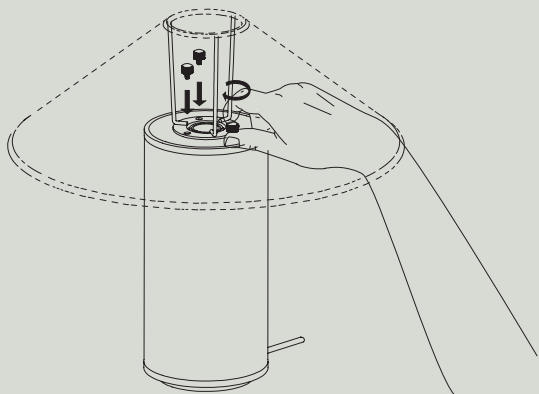
Step 2 / 4

Place the shade on top of the base and align the holes.



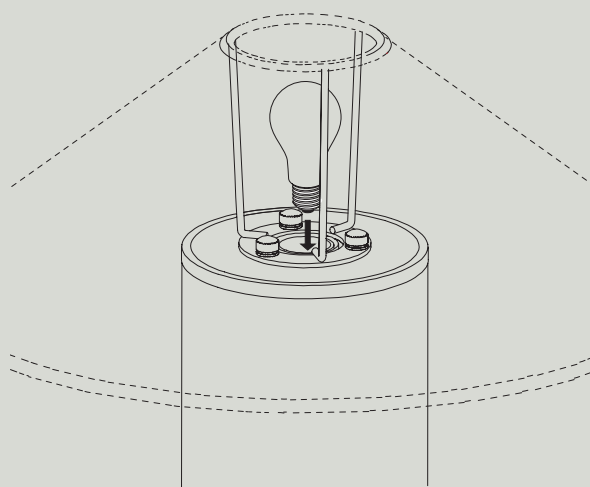
Step 3 / 4

Once you have aligned the holes of the shade and the base, insert the screws and tighten them by hand.



Step 4 / 4

Install the lightbulb.



&Tradition®