

FLOS

F3031020 Silver

Glo-Ball Floor 1

Designed by Jasper Morrison, 1998

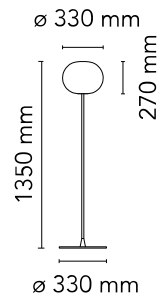
Halogen - 150W



Floor lamp providing diffused light. Diffuser consisting of an externally acid-etched, hand blown, flashed opaline glass and a die-cast threaded ring nut with alodine plating finish. Gray or black painted high-thickness steel base and stem and die-cast aluminum diffuser support. On the cable there is the electronic dimmer which allows the regulation of light brightness.

Are you a professional and your project needs consulting and support?

BOOK AN APPOINTMENT



Main specifications

EAN	8059607002544
Mounting	Floor
Environments	Indoor dry location
Light Source Type	Bulb
Lamp category	Halogen
Lamp holders	E27
Ilcos	HSGS
Number of heads	1
Power (W)	150

Physical

Colour	Silver
Length (mm)	330
Cord length (mm)	2300
Net weight (kg)	12.4
Package height (mm)	0
Package width (mm)	0
Package length (mm)	0
Package volume (m3)	0.27
IP internal	20

Download

Mounting instructions	↓ PDF
Spare Parts	↓ PDF

Photometric Files

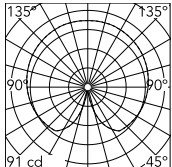
LDT / IES	↓ LDT
-----------	-------

Technical Drawings

2D	↓ ZIP
3D	↓ ZIP
Bim	↓ ZIP



Schematic light drawing



Luminous flux Luminaire
1252 lm

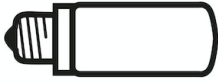
Photometric

Lighting type	Total
Light distribution	Roto symmetric

Electrical

Insulation class	II
Frequency (Hz)	50/60
Main voltage (Vac)	220-240
LED voltage Vf (Vdc)	null
Dimmable	Yes
Dimming interface	Dimmer Integrated
Plug type	Type C
Batteries inside	No

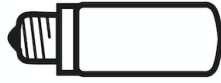
Bulbs



NOT INCLUDED

RF32288

LED Lamp E27 15W 2700K T38

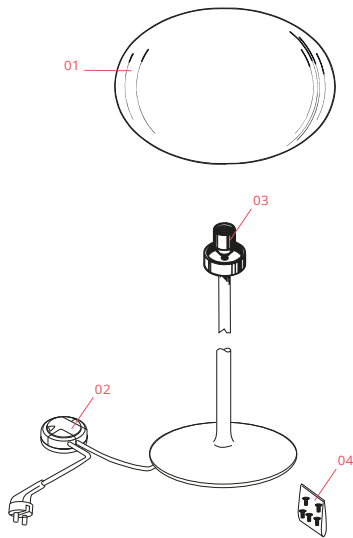


NOT INCLUDED

RF32289

LED Lamp E27 15W 3000K T38

Spare Parts



- | | | |
|-----|---|-----------|
| 01. | Glo-Ball 1 opal diffuser. Grey
Base | F3050061 |
| 02. | Led rondo' dimmer 220/240v 40-
250w 4-100w | RF28045 |
| 03. | New version lamp holder | RF2500200 |
| 04. | Kit of 5 white feed pads for base | RF3020100 |

DOWNLOAD

 Thumbnail

RF28045

Led rondo' dimmer 220/240v 40-250w 4-100w



F3050061

Glo-Ball 1 opal diffuser. Grey Base

RF2500200

New version lamp holder

RF3020100

Kit of 5 white feed pads for base