

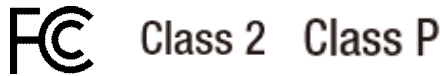
Phase cut /Triac dimmable driver-PWM output KVF-TDW series 100W

Whole Family
 KVF-XXXXX-TDW 12V 24VDC
 30W 60W 80W 96W 100W
 120W 150W 200W 300W



■Features

- Output constant voltage
- UL, cUL listed, Class P, Type HL
- Universal AC input: 100-277VAC
- Power Factor: up to 0.99
- High efficiency : up to 83%
- Dimming range: 0-100%
- Load: 10-100%
- Protection:short circuit/over loading/ Over temperature
- PWM output, does not change the color index
- Full protection aluminum housing, for dry, damp, wet location
- Flicker-free
- Compatible with Forward phase, Reverse phase, Triac, MLV, ELV Dimmers
- Cooling by free air convection
- Suitable for LED lighting and moving sign applications



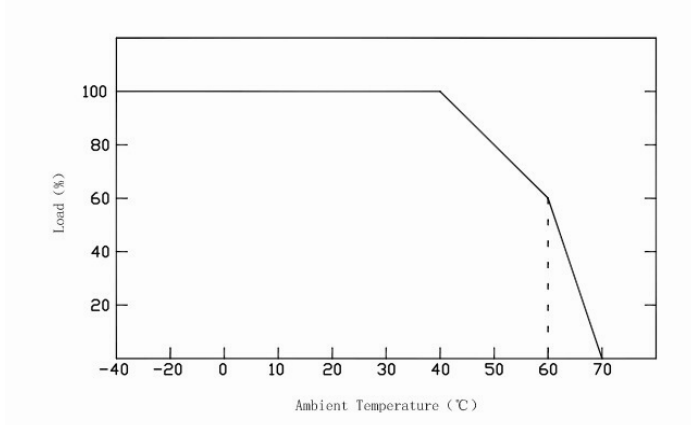
■Specification

Model	KVF-12100-TDW	KVF-24100-TDW	
Certificates	FCC UL cUL	FCC UL cUL	
Output	DC Voltage	12V	24V
	Rated Current	8.33A	4.16A
	Rated Power	100W	
	Voltage Tolerance	±0.5V	
	Voltage Regulation	±0.5%	
	Load Regulation	±1%	
Input	Voltage Range	100-277VAC	
	Frequency Range	47-63Hz	
	Power Factor (Typ.) @ full load	0.99@120VAC 0.96@277VAC	0.98@120VAC 0.96@277VAC
	THD (Typ.) @ full load	<20%	
	Efficiency (Typ.) @ full load	80%	83%
	AC Current (Max.)	1.5A@100VAC	
	Inrush Current (Typ.)	20A, 50%, 1.6ms	
	Leakage current	<0.50mA	
Protection	Short Circuit	shut down o/p voltage, re-power on to recover after fault condition is removed	
	Over Loading	≤120% constant current limiting, auto-recovery	
	Over temperature	100°C±10°C shut down o/p voltage, automatically recover after cooling.	
Environment	Working TEMP.	-40~+60°C (see below derating curve)	
	Working Humidity	20~90%RH, non-condensing	
	Storage TEMP. Humidity	-40~+80°C, 10~95%RH	
	TEMP .coefficient	±0.03%/°C (0~50°C)	
	Vibration	10~500Hz, 5G 10min./1 cycle,period for 60min. each along X,Y,Z axes	
Safety& EMC	Safety standards	UL8750	
	Withstand voltage	I/P-O/P:1.88KVac	
	Isolation resistance	I/P-O/P:100MΩ/500VDC/25°C/70%RH	
	EMC EMISSION	FCC Part 15 B	
others	Net. Weight	1.05Kg	
	Size	230*70*43mm (L*W*H)	
	packing	10PCS/CTN	

Phase cut /Triac dimmable driver-PWM output KVF-TDW series 100W

Notes	<p>1. All parameters if NOT specially mentioned are measured at 120VAC input , rated load and 25°C of ambient temperature.</p> <p>2. To extend the driver's using life ,please reduce the loading at lower input voltage.</p>
--------------	---

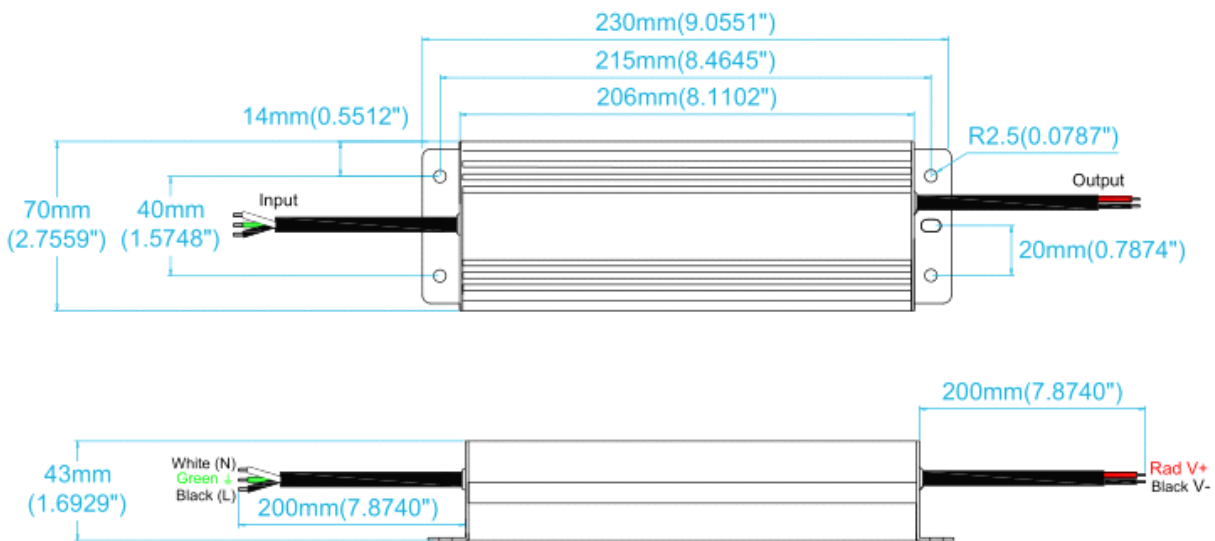
Derating Curve



※To extend their life, please refer to the Derating Curve and derate according to the temperature.

Mechanical Specification

Unit: mm
Tolerance: P 0.5-2mm

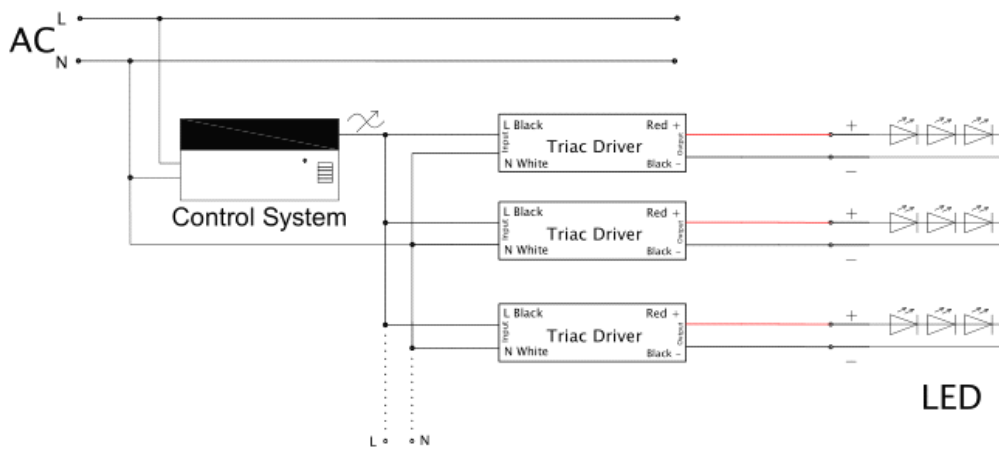
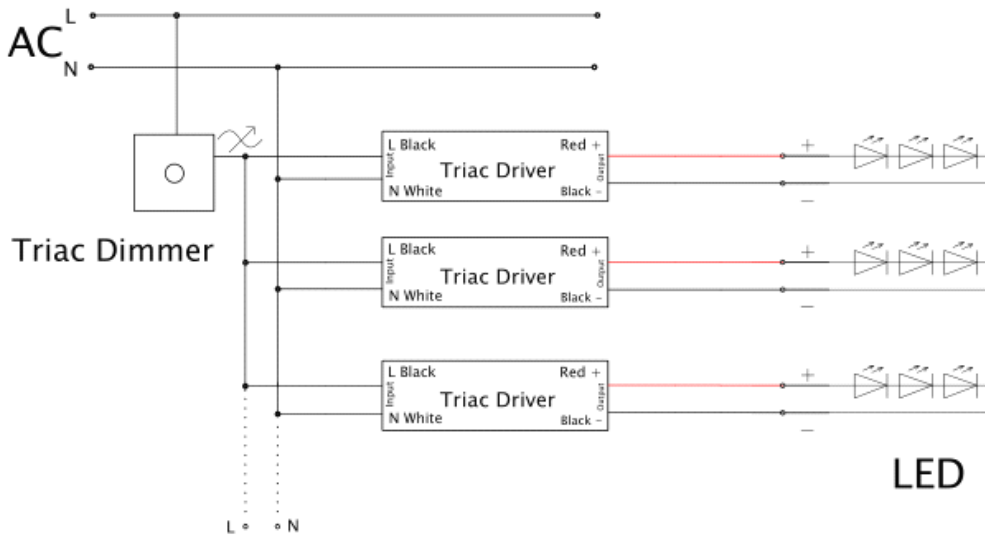
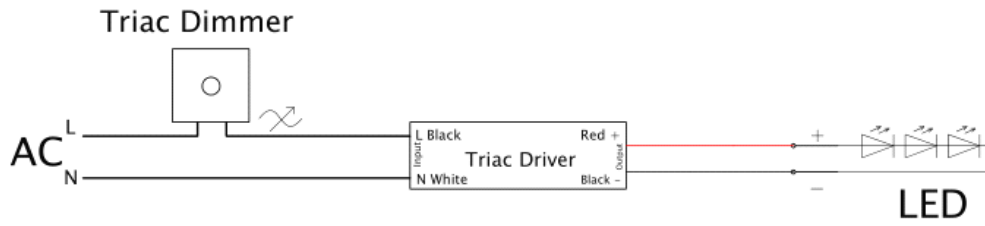


- ※ Input wire 18AWG Black and White to be connected to AC L and N ,Green wire go ground,
- ※ Output wire 16AWG Red to LED Positive side (+) , Black to LED Negative side (-).

Dimming Operation

- ※The Pulse-Width Modulation (PWM) of output voltage can be adjusted through input terminal of the AC phase line(L) by connection a phase/triac dimmer.
- ※Usually matching with Forward phase , leading edge , Magnetic low voltage, triac dimmers, or Reverse phase, trailing edge ,Electric low voltage Dimmers.
- ※Please try to use dimmers with power at least 1.5 times as the output power of the driver.

■ Connecting Diagram



■ Instruction:

- 1) This driver should be installed by qualified and professional person;
- 2) Please make sure the driver is installed with adequate ventilation around it to allow for heat dissipation.
- 3) Ensure that wiring is correct before test in order to avoid light and power supply damage;
- 4) If driver Cannot work normally, don't maintain privately; Have any question, please contact Zhuhai Shengchang.

Please visit our website or contact us for more information! www.scpower.net.cn