

FLOS

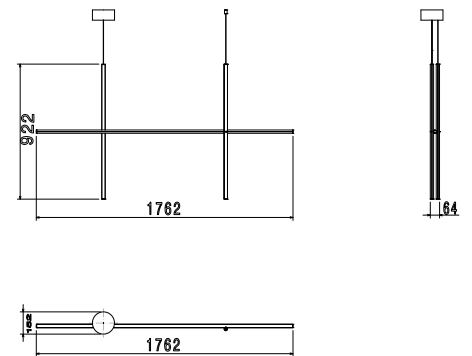
F1844044 Anodized Champagne

Coordinates Suspension 2 CLIII

Designed by Michael Anastassiades, 2020

50W - 2960lm - 2700K - CRI > 95

Coordinates is a lighting system with diffuse light composed of horizontal and vertical luminaries arranged in a bright grid of various shapes and complexities. Each element is made of extruded anodized aluminium with a champagne finish and a diffuser in platinum optical silicone with an integrated LED strip (CRI 95). Each element is powered and supported by an invisible electrical and mechanical connection designed specifically to allow for the composition of the 4 hanging models (S1, S2, S3, S4) with 2.4-m cables. The 'S Module' is also available. Its geometry was designed to be repeated to create large grids for custom installations. Each Coordinates configuration includes its own ceiling rose, whose integrated electronics allow for the use of different dimmer systems: push, 1-10, DALI. In the absence of these systems, the amount of light can be set during installation with the push system included in the rose. The related CI III version is also available for each configuration for installations with a remote power supply.



Are you a professional and your project needs consulting and support?

[BOOK AN APPOINTMENT](#)

Download

Mounting instructions [↓ PDF](#)

Photometric Files

ULD [↓ ZIP](#)

Technical Drawings

3D [↓ ZIP](#)

[🔒 Bim](#) [↓ ZIP](#)

Main specifications

| | |
|-------------------|---------------------|
| EAN | 8059607032572 |
| Mounting | Suspension |
| Environments | Indoor dry location |
| Light Source Type | LED |
| LED type | LED Module |
| Power (W) | 50 |
| System flux (lm) | 2960 |

Physical

| | |
|-----------------------|--------------------|
| Colour | Anodized Champagne |
| Length (mm) | 1760 |
| Cord length (mm) | 2400 |
| Canopy dimension (mm) | 29 |
| Canopy width (mm) | 61 |
| Net weight (kg) | 1.8 |
| Package height (mm) | 0 |
| Package width (mm) | 0 |
| Package length (mm) | 0 |
| Package volume (m3) | 0.02 |
| IP internal | 20 |

Ecodesign and Energy Labelling

This product contains a light source of energy efficiency class F



Replaceable (LED only)
light source by a
professional



Photometric

| | |
|--------------------|------------|
| Lighting type | Total |
| Light distribution | Asymmetric |
| CCT (K) | 2700 |
| CRI> | 95 |

Electrical

| | |
|----------------------|-----------------|
| Insulation class | III |
| Main voltage (Vac) | 48 |
| LED voltage Vf (Vdc) | null |
| Driver | Remote excluded |
| Dimming type | Electronic 48V |
| Batteries inside | No |

Accessories & Power Supply



OPTIONAL

RF29208

48Vdc 80W Power supply

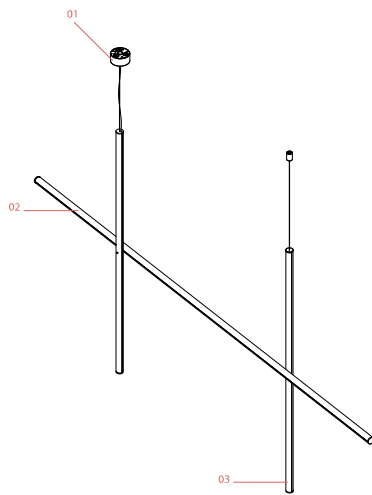


OPTIONAL

RF26994

12-48V Led Dimmer

Spare Parts



- | | | |
|-----|--|-----------|
| 01. | Assembly Rose Cover for Coordinates S CLIII Anodized Champagne | RF1874144 |
| 02. | Rod Assembly L1760 H-21 Anodized Champagne | RF31444 |
| 03. | Rod Assembly L920 S-20 Anodized Champagne | RF31443 |



RF1874144

Assembly Rose Cover for
Coordinates S CLIII Anodized
Champagne



RF31444

Rod Assembly L1760 H-21
Anodized Champagne



RF31443

Rod Assembly L920 S-20
Anodized Champagne