



CARE INSTRUCTIONS

Wipe the parts with a damp cloth soaked in warm water and a bit of mild detergent. Use only soft cloth for wiping and polishing, never sponges or steel wool. Do not use abrasive household cleaners.

Do not use acidic or alkaline cleaning materials, glass cleaner or household ammonia.

TROUBLESHOOTING

If lamp does not light, turn off the power. Check the bulb for a broken filament. Replace bulb if necessary, then turn it on. If the lamp still does not light, please contact customer service at the local dealer. If the external flexible cable or cord of this lamp is damaged, it must be replaced by a qualified electrician in order to avoid a hazard.

TECHNICAL INFORMATION

Light sources: E27, max. 1x100W incandescent bulb ~ 1530 Lumen ~ 70-80W halogen ~13-16W LED

Turn power off when changing light bulb. Isolation class II. The lamp is not approved for outdoor use or use in damp/wet rooms (IP20).



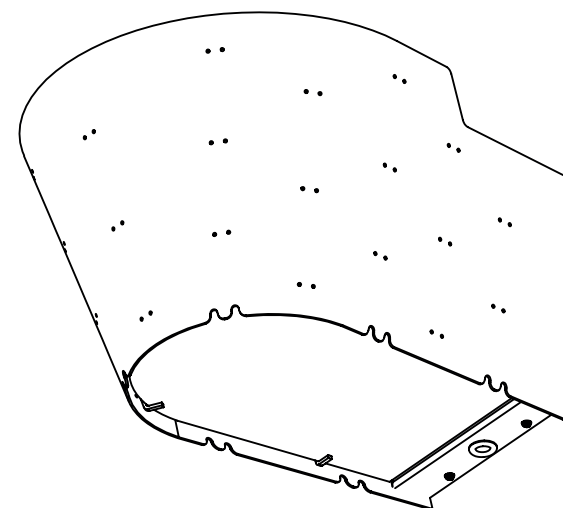
For enquiries contact GUBI A/S - CVR: 17940384
Klubiensvej 7-9. 2150 Nordhavn. Copenhagen, Denmark
T +45 69 15 60 60 – order@gubi.com

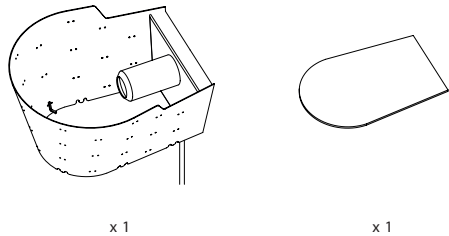
GUBI

ASSEMBLY INSTRUCTIONS

for

9464 WALL LAMP





NO HARDWIRE

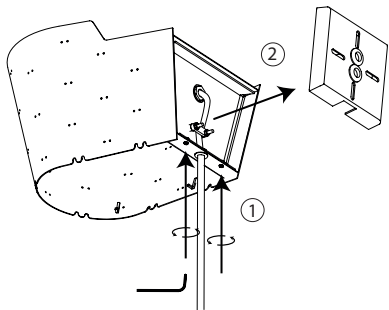
Use this mounting instruction step 1-4 if you are just hanging the lamp on the wall.

HARDWIRE

Go from step 1 to step 5-10

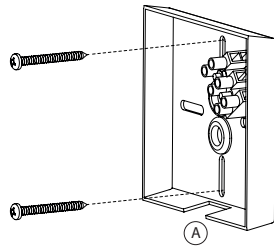
1.

- 1) Loosen screws.
- 2) Remove back plate.



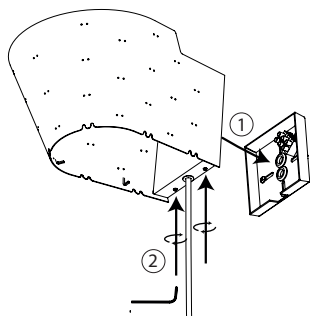
2.

Mount plate on the wall - remember to leave the gap (A) in the bottom.



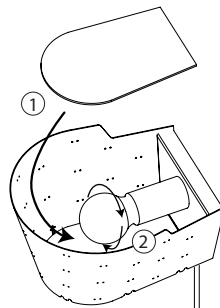
3.

- 1) Place lamp on back plate.
- 2) Tighten screws.



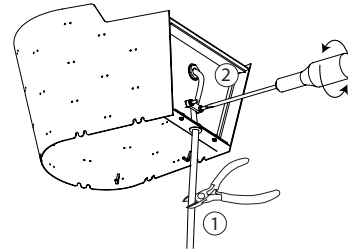
4.

- 1) Slide in glass from above.
- 2) Insert light bulb.
- 3) Turn on lamp.



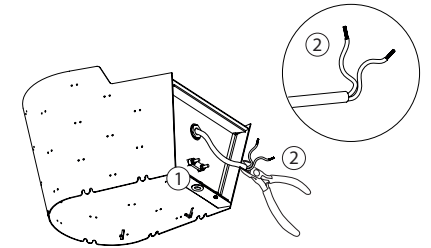
5.

- 1) Cut wire.
- 2) Loosen screws in cable clamp.



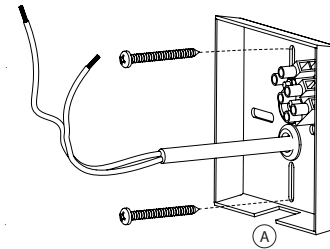
6.

- 1) Get the wire out of the cable clamp
- 2) Cut off some of the outer isolation as well as all isolation in the ends.



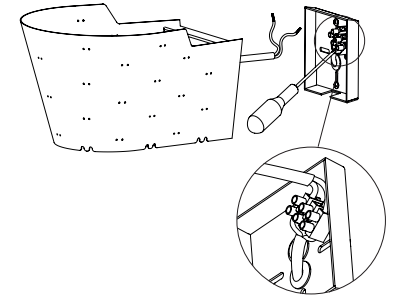
7.

Pull wire from the wall through one of the holes in the middle of the back plate and mount plate to wall. Remember to leave the gap (A) in the bottom.



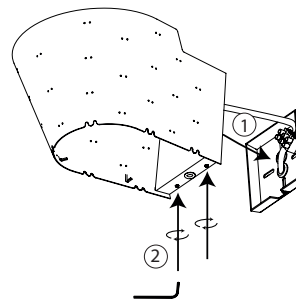
8.

Connect all wires in terminal.



9.

- 1) Place lamp on back plate.
- 2) Tighten screws.



10.

- 1) Slide in glass from above.
- 2) Insert light bulb.
- 3) Turn on lamp.

