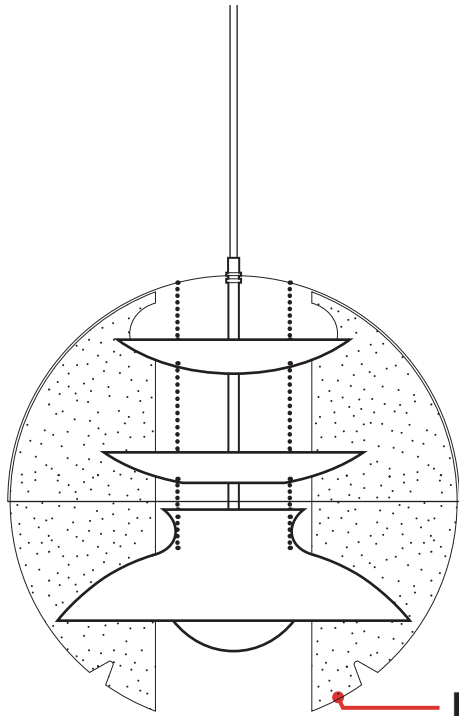


# PANTO

*Design by* VERNER PANTON

*Please read thoroughly before assembly*

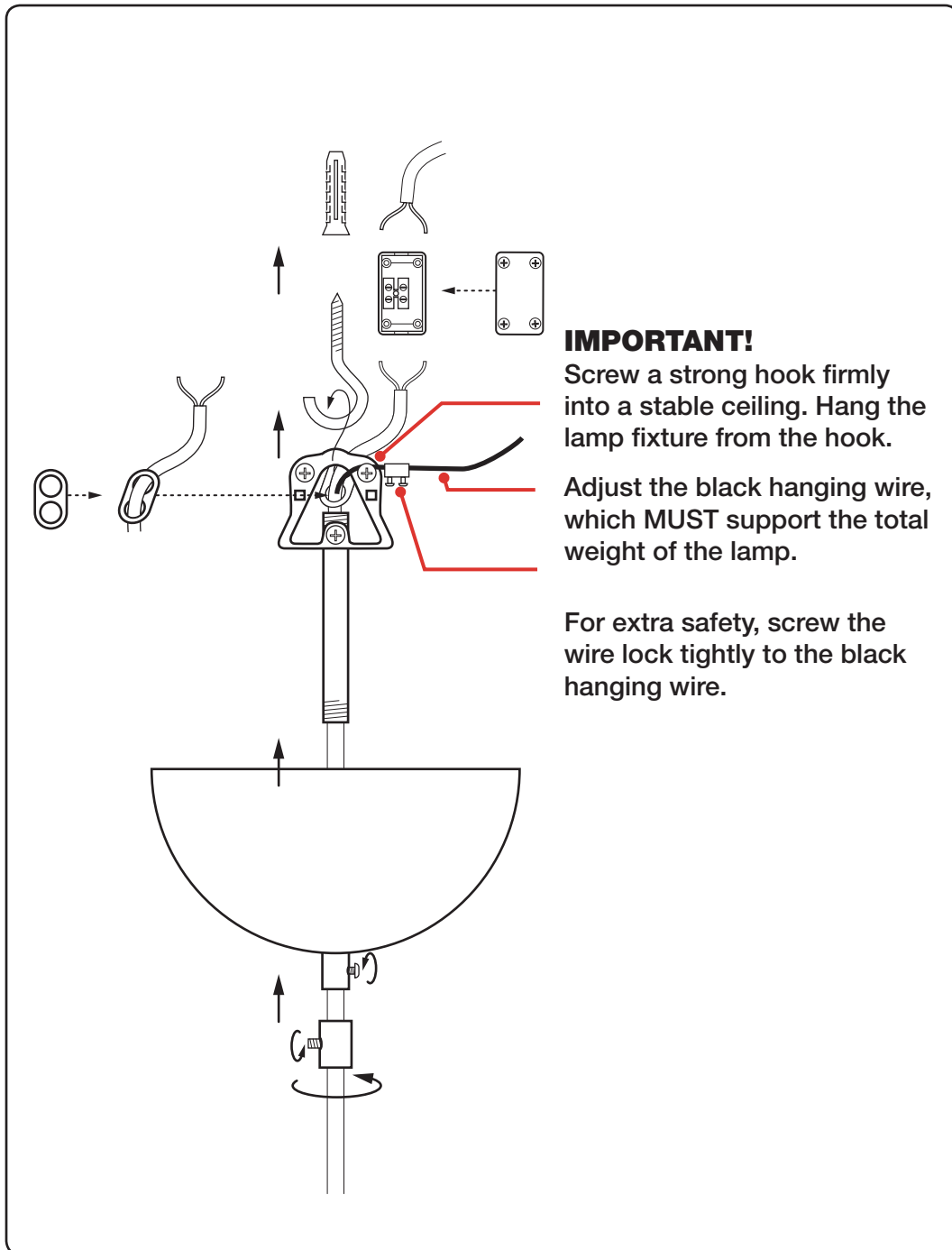
**1**



**LEAVE PROTECTIVE  
PADS ON DURING  
ASSEMBLY**

**RECOMMENDATION:**

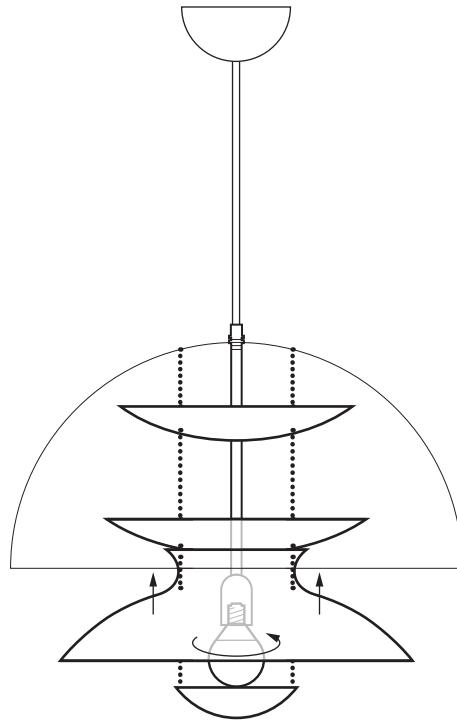
**DO NOT REMOVE THE PROTECTIVE PADS FROM THE ACRYLIC SHELL PRIOR TO MOUNTING THE LAMP TO THE CEILING.**



**HANG THE TOP PART OF THE LAMP FROM THE CEILING**

THE LAMP MUST HANG FROM THE BLACK HANGING WIRE,  
NOT THE ELECTRIC WIRE!

THERE MUST BE NO WEIGHT ON THE ELECTRIC WIRES!

**IMPORTANT!**

Remember to screw the bulb into the lamp's socket **BEFORE** you fasten the bottom acrylic shell.

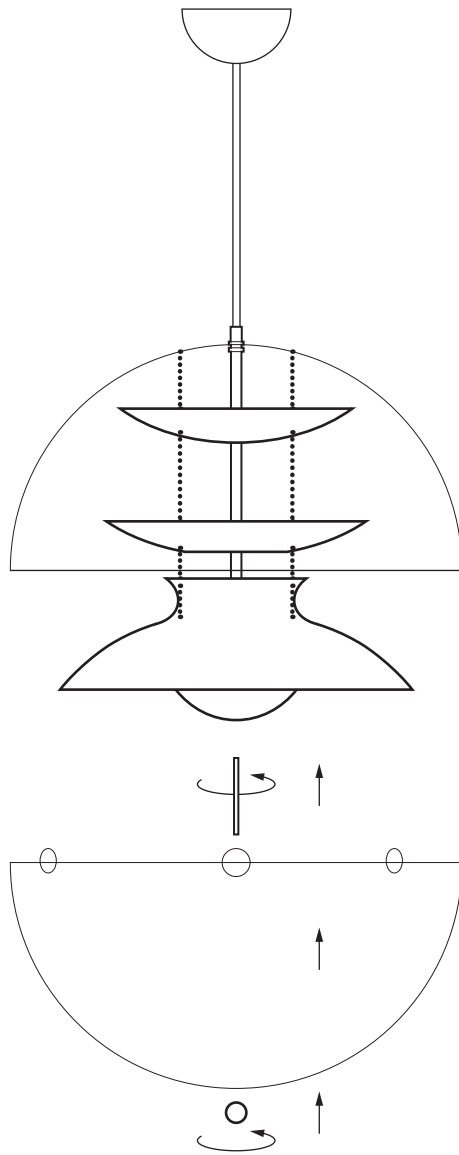
**ADD THE BULB BEFORE THE BOTTOM SHELL**

**TO PREVENT FINGERPRINTS AND SCRATCHES, PLEASE USE THE ENCLOSED GLOVES.**

**RECOMMENDED BULBS:**

PANTO Ø40 CM: E14, MAX. 60W

PANTO Ø50 CM: E27, MAX. 75W

**1**

Screw the threaded rod into the hole at the bottom of the metal reflector plate

**2**

Carefully lift the bottom acrylic shell into place, so the rod protrudes through the hole in the shell.

**3**

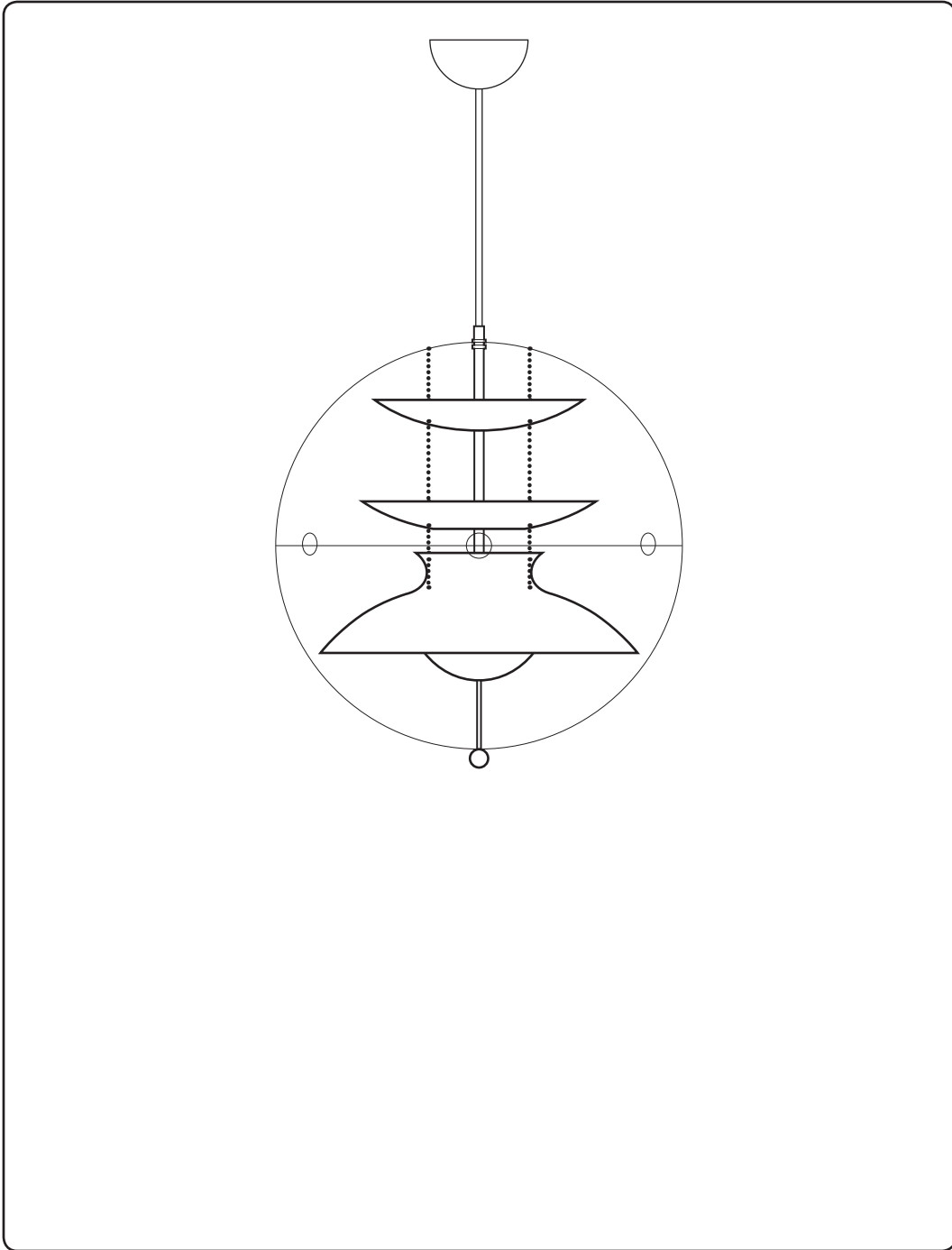
Screw the metal ball on to the rod to fasten the bottom shell. **IMPORTANT!** Do not over tighten the metal ball, or you may damage the acrylic shell.

### **FASTEN THE BOTTOM SHELL**

DUE TO THE NATURE OF THE ACRYLIC MATERIAL, THE SHAPE OF THE TOP AND BOTTOM SHELLS CAN DEVIATE SLIGHTLY FROM A PERFECT CIRCLE.

THIS IS NORMAL, AND THE SHELLS HAVE BEEN PAIRED TO MATCH. WHEN ASSEMBLING, SIMPLY ROTATE THE BOTTOM ACRYLIC SHELL TO FIND THE BEST POSITION.

**5**



**HOW TO CLEAN:**

CLEAN WITH A SOFT CLOTH, WARM WATER AND A MILD DETERGENT. DO NOT USE ANY ABRASIVE MATERIALS.

## **CLEANING KIT FOR PANTO:**

YOU CAN ALSO PURCHASE A CLEANING KIT DEVELOPED ESPECIALLY FOR THE VP GLOBE AND PANTO PENDANTS. PLEASE CONTACT THE SHOP WHERE YOU PURCHASED YOUR PENDANT FOR FURTHER DETAILS.

DESIGNED  
IN THE PAST  
**MADE FOR**  
**TOMORROW**

VERPAN ApS  
*Egeskovvej 29*  
8700 Horsens  
Denmark

[www.verpan.com](http://www.verpan.com)

[info@verpan.com](mailto:info@verpan.com)