

# Manta, Shimmering Waves.

design Dodo Arslan & Nicolas Terzani  
terzani.com



**Type |**  
Pendant

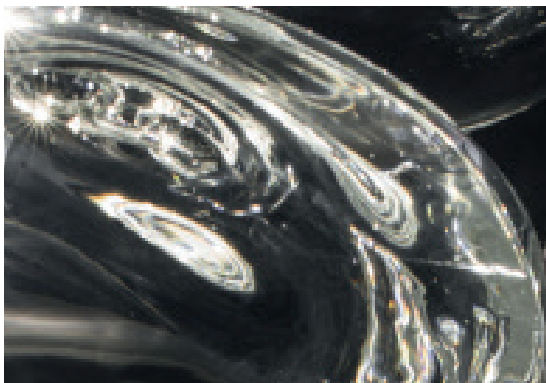
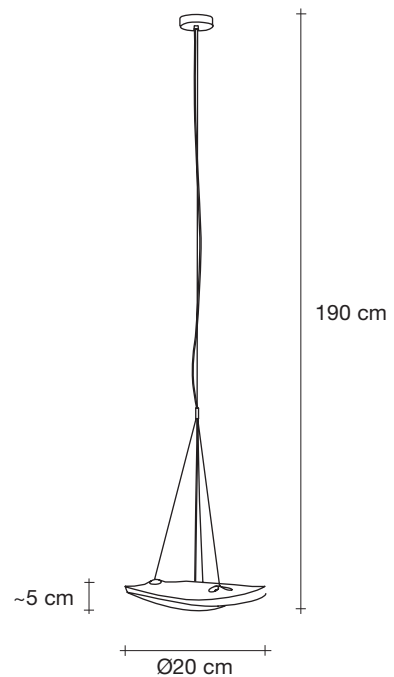
**Materials |**  
Clear crystal

**Finishes | Code**



Clear  
OK011 E8 A9

**Body |**



**Light Source |**  
230-240V ~ 50/60Hz

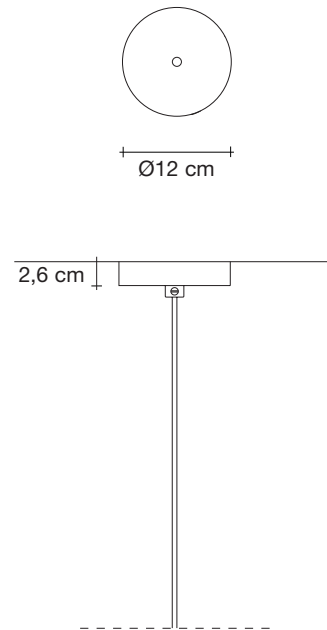


LED integrated  
1,5W



Not Dimmable

**Canopy |**



Manta is the latest design featuring the distinctive lead crystal first unveiled in Nicolas Terzani's best-selling Mizu. Collaborating with designer Dodo Arslan, the two imaginative minds created a light featuring sinuous, undulating lines. The results are soft waves of crystal light reminiscent of being underwater. The innovative Manta is made of crystal, with a dimmable integrated LED lamp focused on maximizing the crystal's reflection. Manta's organic form is available in three sizes (Ø 20cm-7.9", Ø 26cm-10.2", Ø 32cm-12.6") and can be installed in numerous, customizable arrangements. Design Dodo Arslan & Nicolas Terzani.



2,8



2,2



32cm x 24cm x 17cm

# Manta, Shimmering Waves.

design Dodo Arslan & Nicolas Terzani  
terzani.com



**Type |**  
Pendant

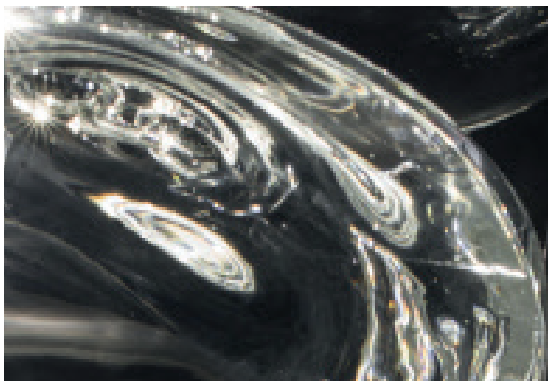
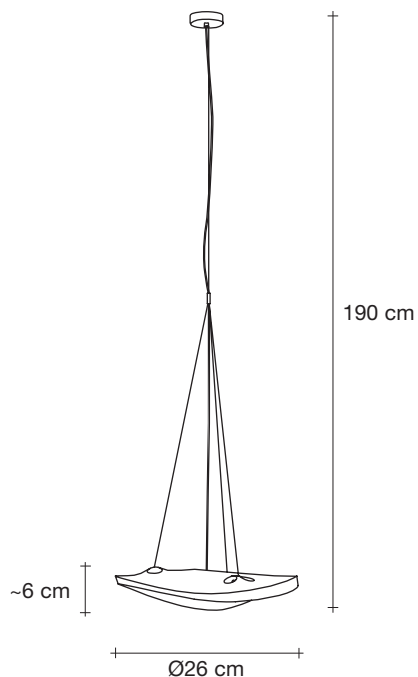
**Materials |**  
Clear crystal

**Finishes | Code**



Clear  
OK012 E8 A9

Body |



**Light Source |**  
230-240V ~ 50/60Hz

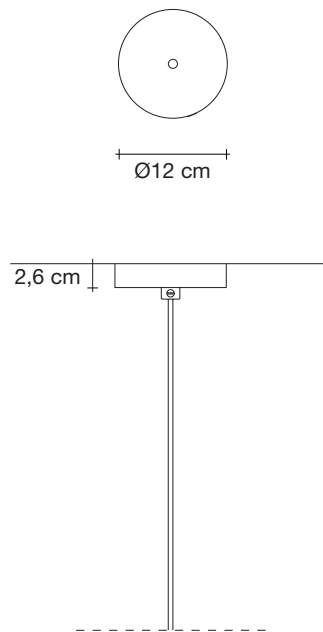


LED integrated  
1,5W



Not Dimmable

Canopy |



Manta is the latest design featuring the distinctive lead crystal first unveiled in Nicolas Terzani's best-selling Mizu. Collaborating with designer Dodo Arslan, the two imaginative minds created a light featuring sinuous, undulating lines. The results are soft waves of crystal light reminiscent of being underwater. The innovative Manta is made of crystal, with a dimmable integrated LED lamp focused on maximizing the crystal's reflection. Manta's organic form is available in three sizes (Ø 20cm-7.9", Ø 26cm-10.2", Ø 32cm-12.6") and can be installed in numerous, customizable arrangements. Design Dodo Arslan & Nicolas Terzani.



5,2



4,2



43cm x 38cm x 17,5cm

# Manta, Shimmering Waves.

design Dodo Arslan & Nicolas Terzani  
terzani.com



**Type |**  
Pendant

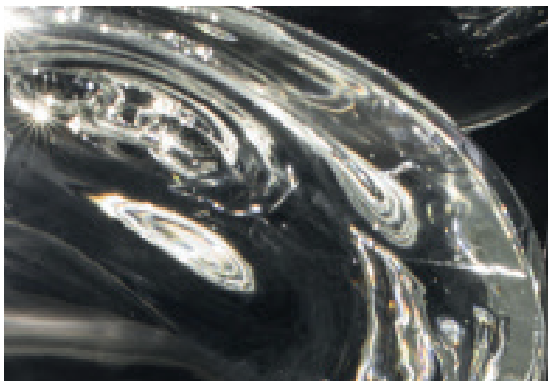
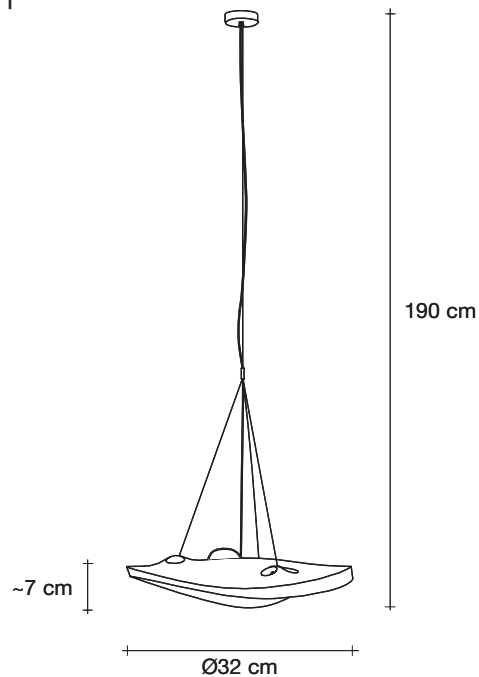
**Materials |**  
Clear crystal

**Finishes | Code**



Clear  
OK013 E8 A9

Body |



**Light Source |**  
230-240V ~ 50/60Hz

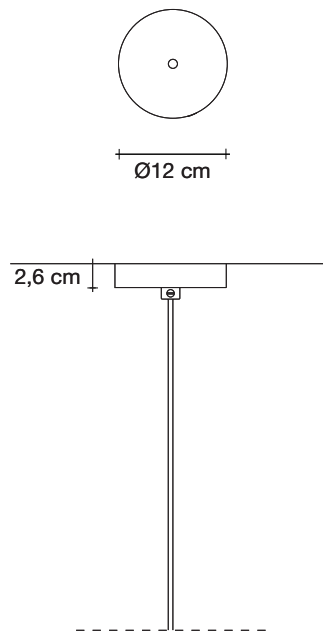


LED integrated  
2 X 1,5W



Not Dimmable

Canopy |



Manta is the latest design featuring the distinctive lead crystal first unveiled in Nicolas Terzani's best-selling Mizu. Collaborating with designer Dodo Arslan, the two imaginative minds created a light featuring sinuous, undulating lines. The results are soft waves of crystal light reminiscent of being underwater. The innovative Manta is made of crystal, with a dimmable integrated LED lamp focused on maximizing the crystal's reflection. Manta's organic form is available in three sizes (Ø 20cm-7.9", Ø 26cm-10.2", Ø 32cm-12.6") and can be installed in numerous, customizable arrangements. Design Dodo Arslan & Nicolas Terzani.



8,5



7



41cm x 41cm x 21cm

# Manta, Shimmering Waves.

design Dodo Arslan & Nicolas Terzani  
terzani.com

**TERZANI**  
LA LUCE PENSATA



**Type |**  
Pendant

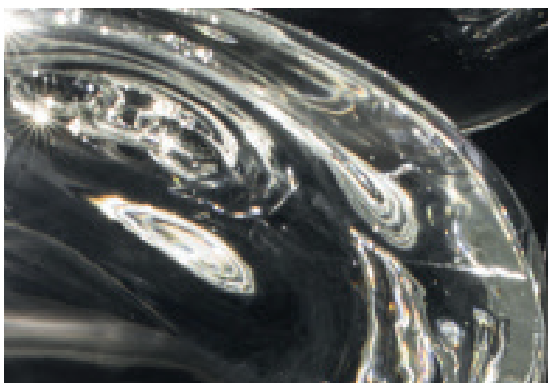
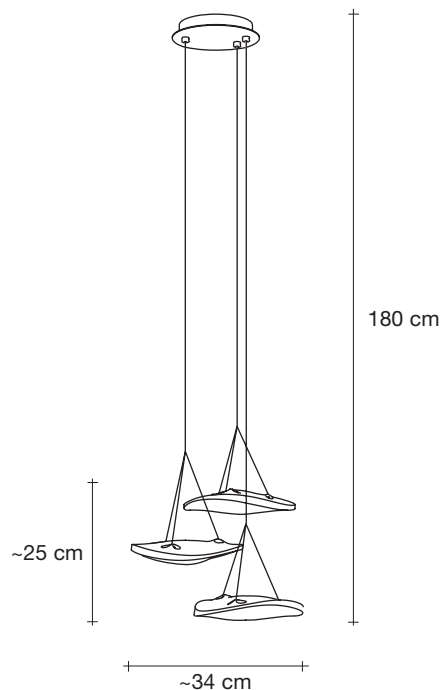
**Materials |**  
Clear crystal

**Finishes | Code**



Clear  
OK031 E8 A9

**Body |**



**Light Source |**  
230-240V ~ 50/60Hz

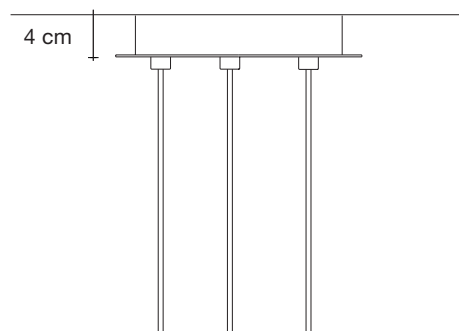
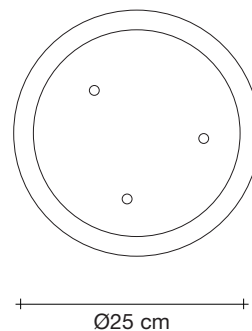


LED integrated  
3 X 1,5W



Dimmable with  
all systems

**Canopy |**



Manta is the latest design featuring the distinctive lead crystal first unveiled in Nicolas Terzani's best-selling Mizu. Collaborating with designer Dodo Arslan, the two imaginative minds created a light featuring sinuous, undulating lines. The results are soft waves of crystal light reminiscent of being underwater. The innovative Manta is made of crystal, with a dimmable integrated LED lamp focused on maximizing the crystal's reflection. Manta's organic form is available in three sizes (Ø 20cm-7.9", Ø 26cm-10.2", Ø 32cm-12.6") and can be installed in numerous, customizable arrangements. Design Dodo Arslan & Nicolas Terzani.



10



8,6



50cm x 50cm x 25cm