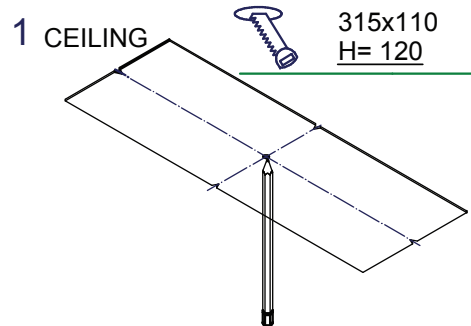
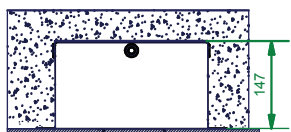
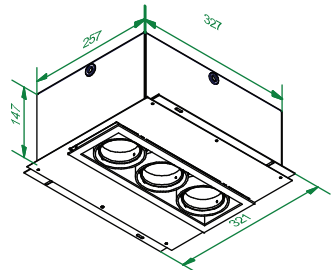


# Mini multiple for 3x LED GE

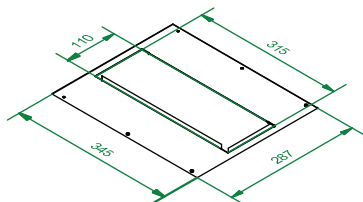
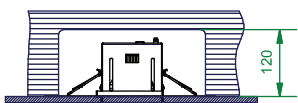
131302XX



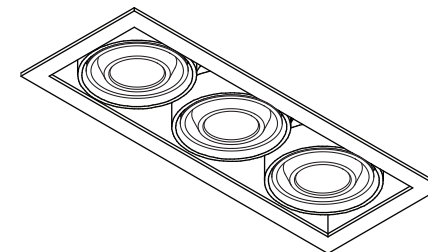
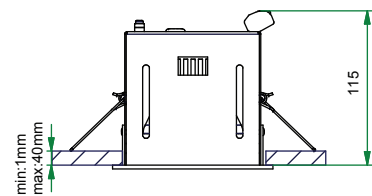
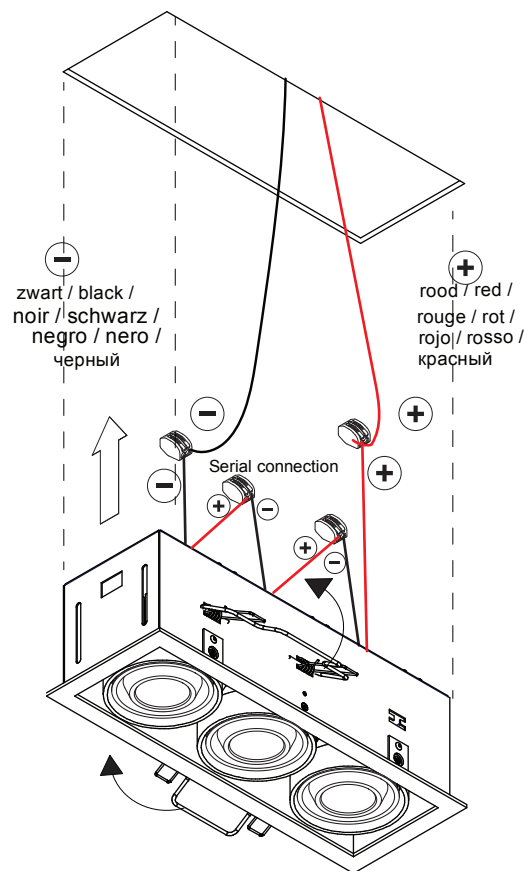
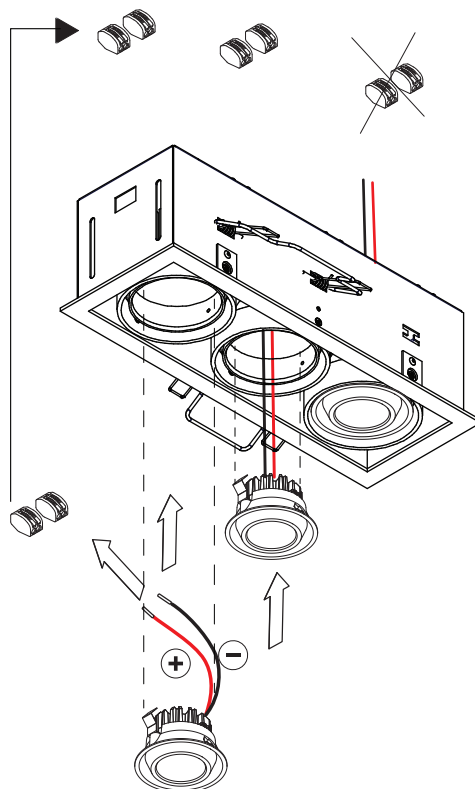
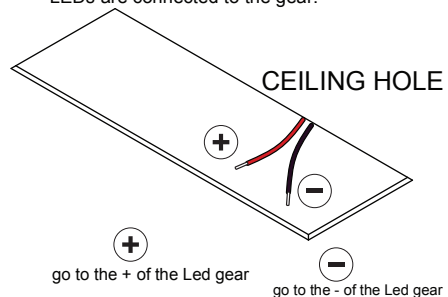
Conbox has to combined with gypkit !!!  
10400330+10420330



Gypkit :10420330 Mini-multiple 3Lx gypkit



Don't connect the gear to 230V before the LEDs are connected to the gear!



- |          |                             |
|----------|-----------------------------|
| 14070002 | M LED MOD 70 2,7KS GE BI    |
| 14070009 | M LED MOD 70 2,7KS GE WhStr |
| 14070102 | M LED MOD 70 2,7KM GE BI    |
| 14070109 | M LED MOD 70 2,7KM GE WhStr |
| 14070202 | M LED MOD 70 2,7KF GE BI    |
| 14070209 | M LED MOD 70 2,7KF GE WhStr |
| 14070302 | M LED MOD 70 3KS GE BI      |
| 14070309 | M LED MOD 70 3KS GE WhStr   |
| 14070402 | M LED MOD 70 3KM GE BI      |
| 14070409 | M LED MOD 70 3KM GE WhStr   |
| 14070502 | M LED MOD 70 3KF GE BI      |
| 14070509 | M LED MOD 70 3KF GE WhStr   |
| 14070602 | M LED MOD 70 4KS GE BI      |
| 14070609 | M LED MOD 70 4KS GE WhStr   |
| 14070702 | M LED MOD 70 4KM GE BI      |
| 14070709 | M LED MOD 70 4KM GE WhStr   |
| 14070802 | M LED MOD 70 4KF GE BI      |
| 14070809 | M LED MOD 70 4KF GE WhStr   |

CAN BE USED WITH

Drivers:

see driver matrix - latest version on website  
[www.supermodular.com](http://www.supermodular.com) or check sales contact

