

Fun 2DA & 2DM

Design by VERNER PANTON

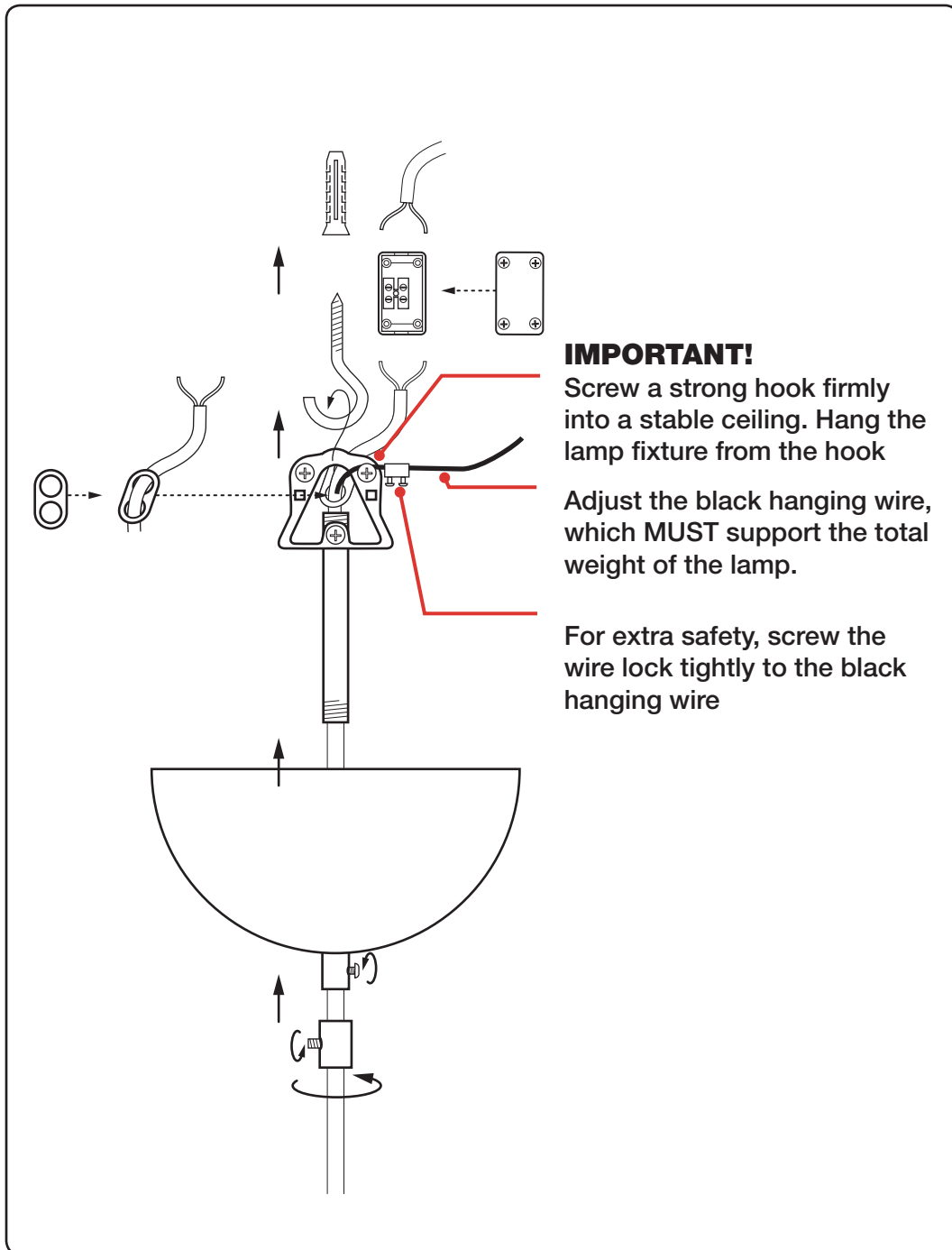
Please read thoroughly before assembly

IMPORTANT!

ALWAYS TURN OFF THE ELECTRICAL CURRENT BEFORE
INSTALLING ANY FIXTURE!

BE SURE THAT THE CEILING OUTLET BOX IS MOUNTED SO
THAT IT CAN CARRY THE WEIGHT OF THE ENTIRE LAMP!

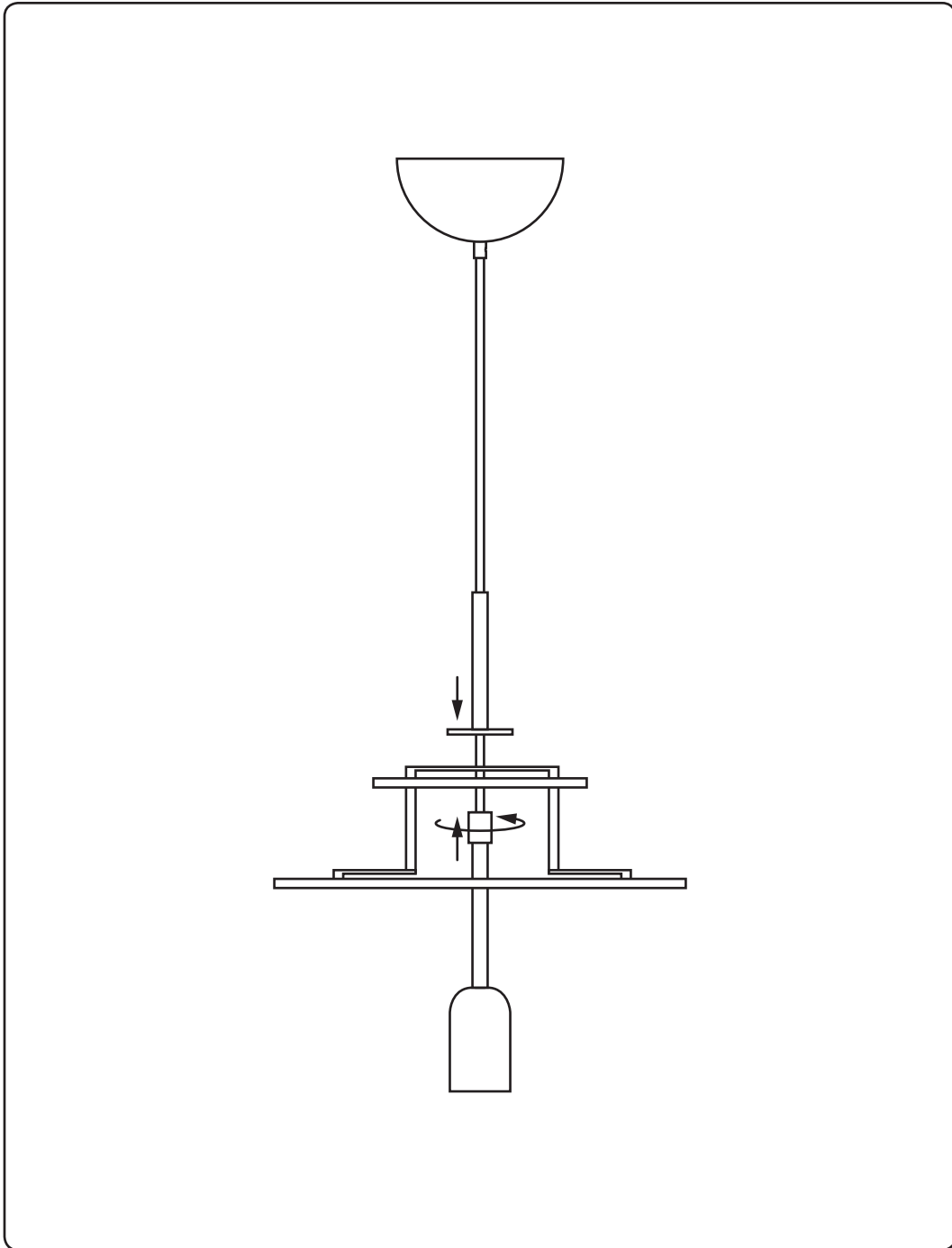
THERE MUST BE NO WEIGHT ON THE ELECTRIC WIRES!



HANG THE TOP PART OF THE LAMP FROM THE CEILING

THE LAMP MUST HANG FROM THE BLACK HANGING WIRE,
NOT THE ELECTRIC WIRE!

THERE MUST BE NO WEIGHT ON THE ELECTRIC WIRES!

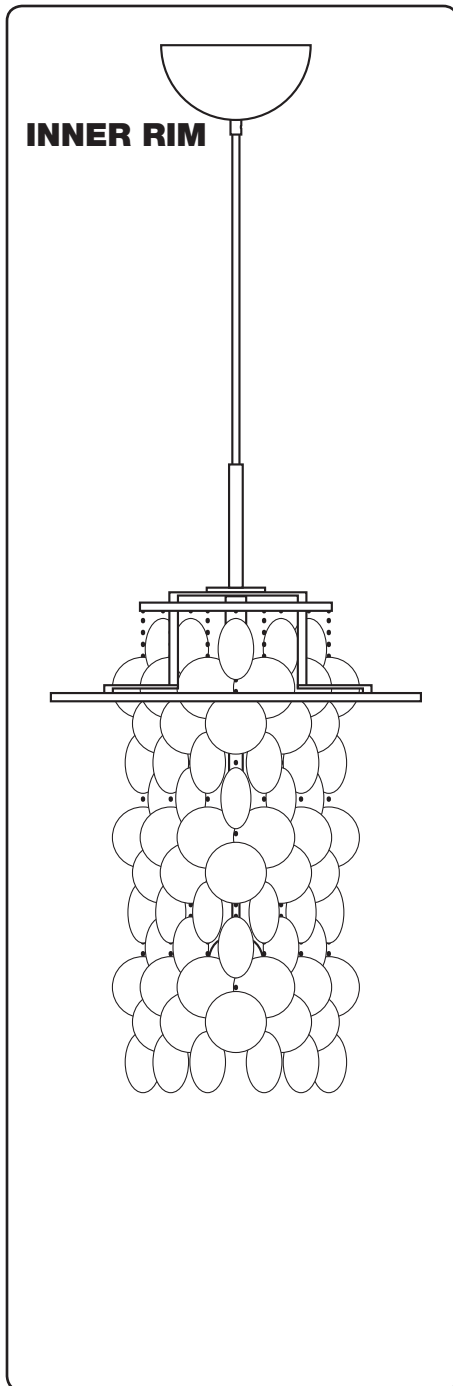


MOUNTING THE METAL FRAME

After you have mounted the ceiling canopy to the ceiling please mount the metal frame together with the cord (incl. socket).

Screw the metal tubes firmly together!

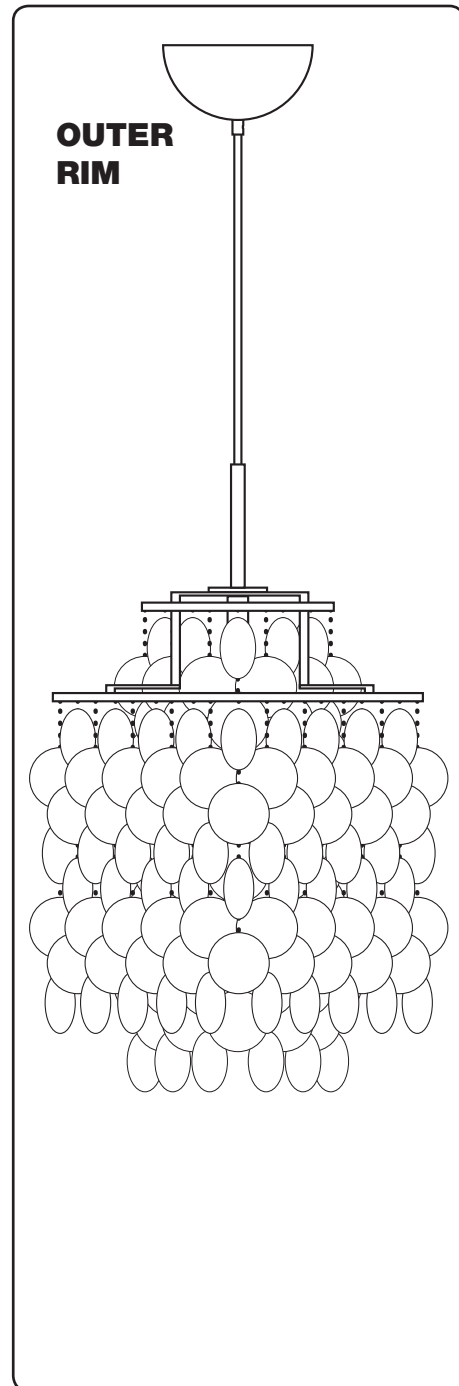
Now you are ready to hang the plates at the metal frame.



INNER RIM

Mount plates from box with 6 pcs. Box is marked "INNER RIM".

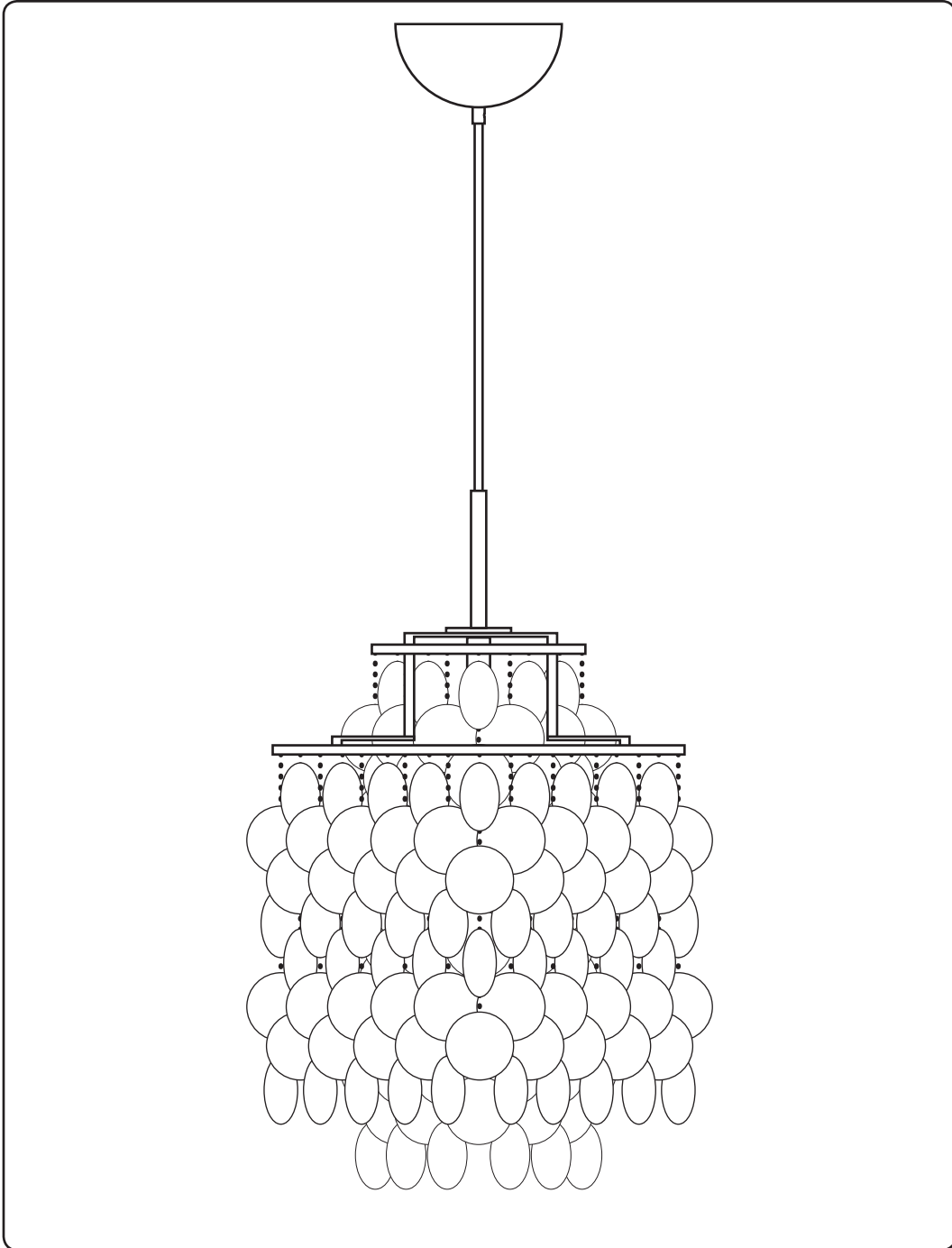
Please note:
The chains in the box are not the same length, so it is important that you alternate between the two lengths.



OUTER RIM

Mount plates from box with 4 pcs. Box is marked "OUTER RIM".

Please note:
The chains in the box are not the same length, so it is important that you alternate between the two lengths.

**HOW TO CLEAN:**

Clean with a soft cloth, warm water and a mild detergent.
Do NOT use any abrasive materials.

DESIGNED
IN THE PAST
MADE FOR
TOMORROW

VERPAN ApS
Egeskovvej 29
8700 Horsens
Denmark

www.verpan.com

info@verpan.com