

FLOS

F7630009 White

Toio Led

Designed by Achille and Pier Giacomo Castiglioni, 1962

LED retrofit - 23W



Floor lamp providing indirect lighting. Angle iron and formed steel base, painted in a variety of colors. Hexagonal nickel-plated brass height-adjustable stem with telescopic head. On the cable there is the electronic dimmer which allows the regulation of light brightness.

Are you a professional and your project needs consulting and support?

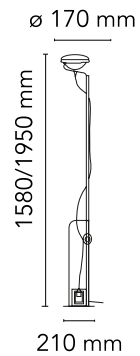
BOOK AN APPOINTMENT

Main specifications

Mounting	Floor
Environments	Indoor dry location
Light Source Type	Bulb
Lamp category	LED retrofit
Lamp holders	Gx16d
Number of heads	1
Power (W)	23

Physical

Colour	White
Length (mm)	170
Cord length (mm)	2470
Net weight (kg)	8.2
Package height (mm)	0
Package width (mm)	0
Package length (mm)	0
Package volume (m3)	0.12
IP internal	20



Download

Mounting instructions [↓ PDF](#)

Spare Parts [↓ PDF](#)

Photometric Files

LDT / IES [↓ LDT](#)

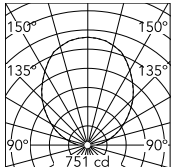
Technical Drawings

2D [↓ ZIP](#)

3D [↓ ZIP](#)



Schematic light drawing



Beam Angle: 103°

h(m)	E(lx)	D(m)
1	751	2.53
2	188	5.06
3	83	7.59
4	47	10.12
5	30	12.64

Luminous flux luminaire
2072 lm

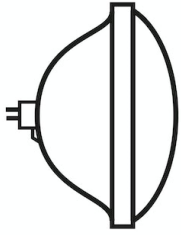
Photometric

Lighting type	Indirect
Light distribution	Roto symmetric

Electrical

Insulation class	II
Frequency (Hz)	50/60
Main voltage (Vac)	220-240
LED voltage Vf (Vdc)	null
Dimmable	Yes
Dimming interface	Dimmer Integrated
Plug type	Type C
Batteries inside	No

Bulbs

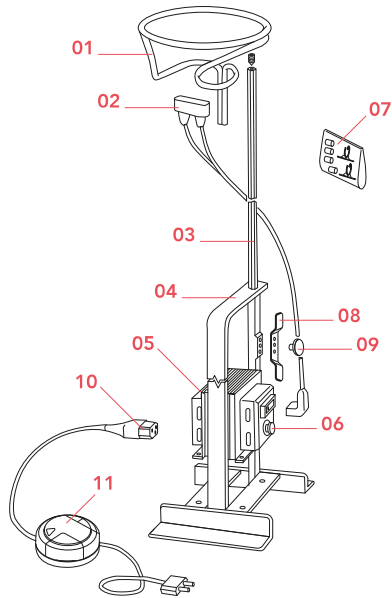


INCLUDED

RF32297

LED Lamp 20W Gx16d 220-240V
2500K PAR56

Spare Parts



- | | | |
|-----|--|-----------|
| 01. | Nickel plated brass cage | RF02774 |
| 02. | Electrical wiring from transformer to bulb | RF04607 |
| 03. | Rod | RF02775 |
| 04. | Lamp base | RF02579 |
| 05. | Assembly Retrofit Led | RF7600200 |
| 06. | Autotransformer for Toio | |
| 07. | Wire loop assembly | RF7600100 |
| 08. | Cable winder support | RF06730 |
| 09. | Nickel knob | RF06732 |
| 10. | Toio switch dimmer & wiring assembly | RF28230 |
| 11. | Led rondo' dimmer 220/240v 40-250w 4-100w | RF28045 |

DOWNLOAD



RF02774

Nickel plated brass cage



RF04607

Electrical wiring from transformer to bulb



RF02775

Rod



RF02579

Lamp base



RF7600200

Assembly Retrofit Led Autotransformer for Toio



RF7600100

Wire loop assembly



RF06730

Cable winder support



RF06732

Nickel knob



RF28230

Toio switch dimmer & wiring
assembly



RF28045

Led rondo' dimmer 220/240v 40-
250w 4-100w