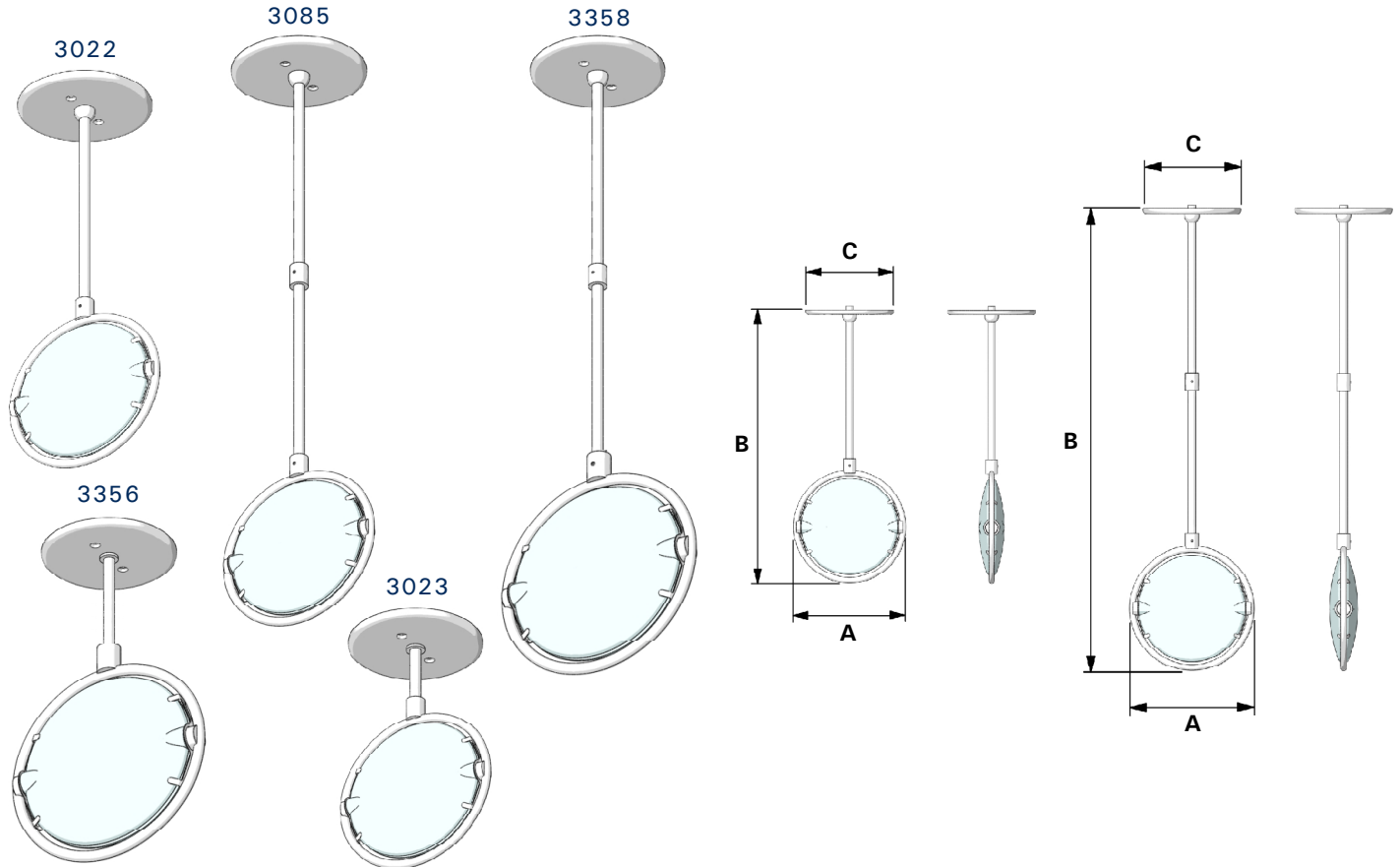


## Metis, 1992



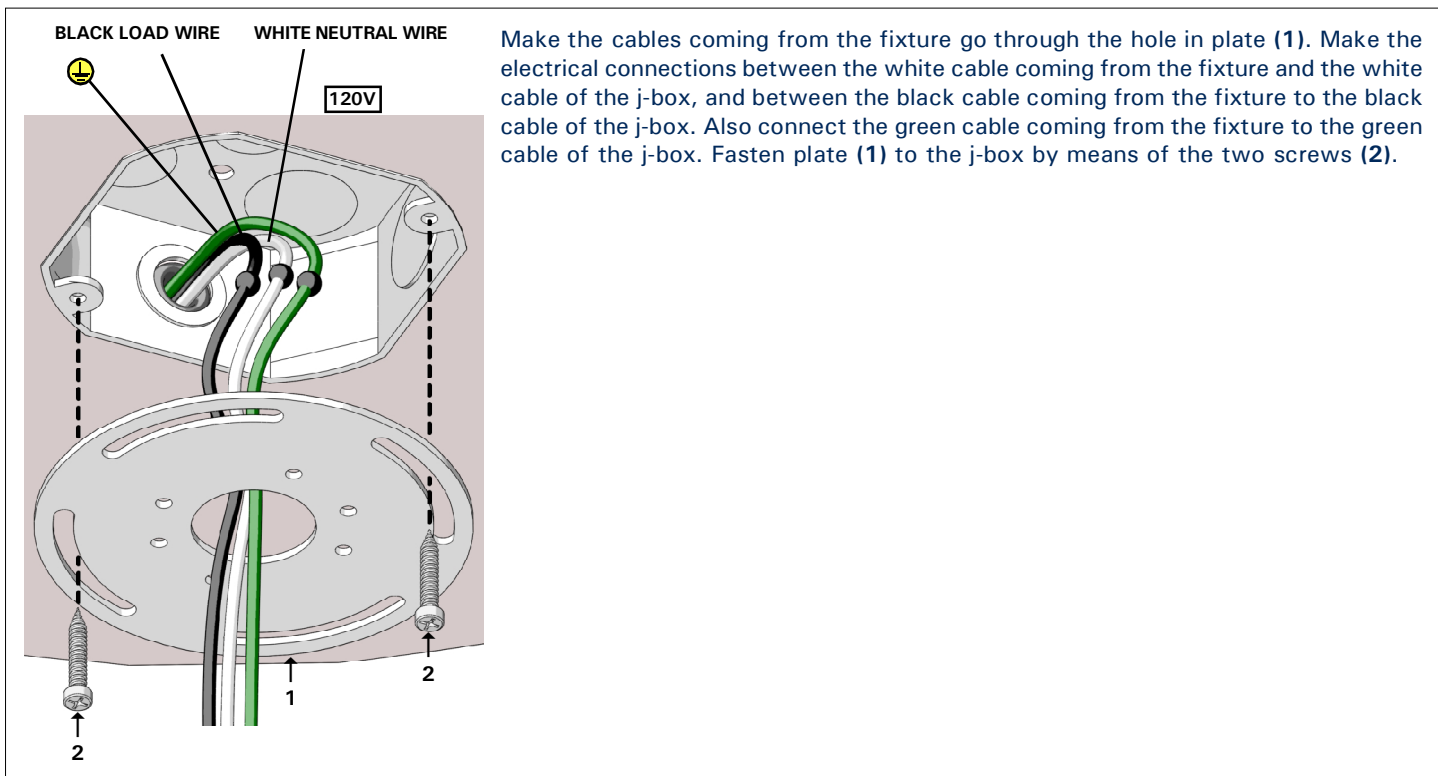
CODE	VOLTAGE	BULB	DIMENSIONS in cm-inc
3022 - ceiling only	120 V	1x150W T3/S Double Ended R7s - short (HA)	cm = A: 36 - B: 15 - C: 9 inc = A: 14.2 - B: 5.9 - C: 3.5
3085 - ceiling only	120 V	1x150W T3/S Double Ended R7s - short (HA)	cm = A: min. 54, max 86 - B: 15 - C: 9 inc = A: min. 21.3, max 33.9 - B: 5.9 - C: 3.5
3358 - ceiling and wall	120 V	1x300W T3/L Double Ended R7s - long (HA)	cm = A: min. 49, max 66 - B: 23 - C: 12 inc = A: min. 19.3, max 26 - B: 9.1 - C: 4.7
3023 - wall only	120 V	1x150W T3/S Double Ended R7s - short (HA)	cm = A: 20 - B: 15 - C: 9 inc = A: 7.9 - B: 5.9 - C: 3.5
3356 - ceiling and wall	120 V	1x300W T3/L Double Ended R7s - long (HA)	cm = A: 39 - B: 23 - C: 12 inc = A: 15.4 - B: 9.1 - C: 4.7



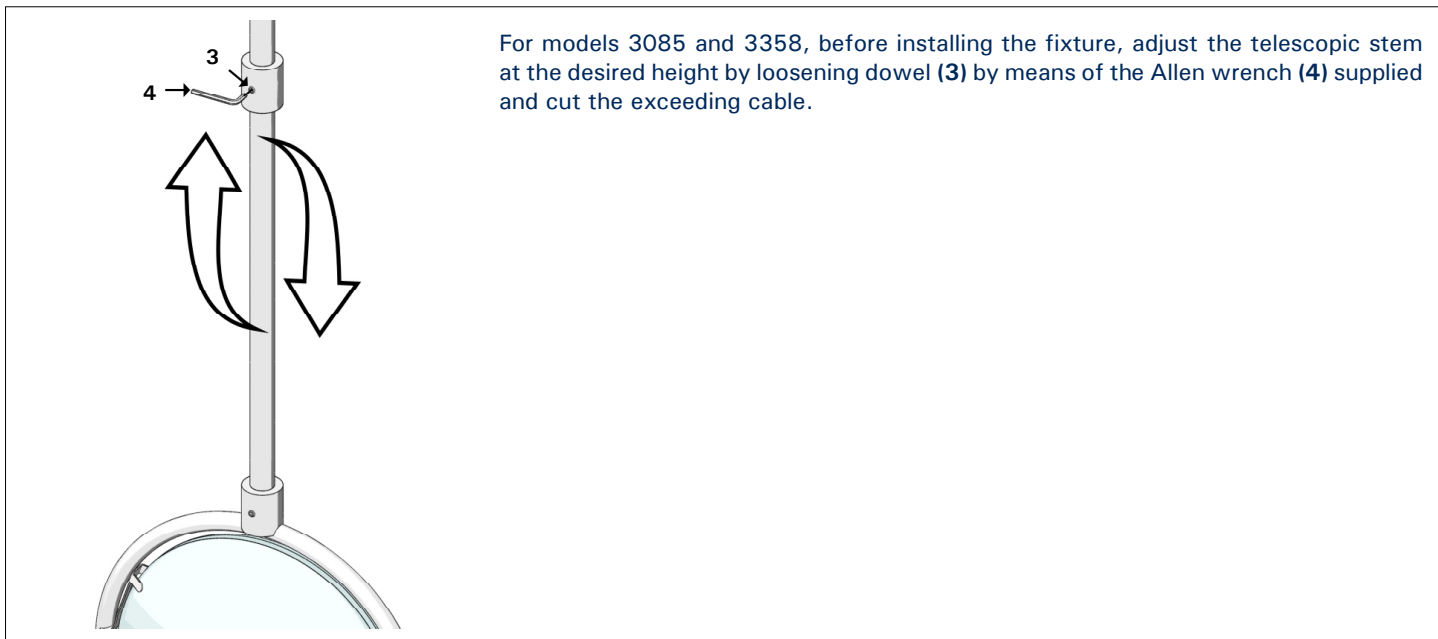
Before any operation on the fixture, please disconnect the power supply.



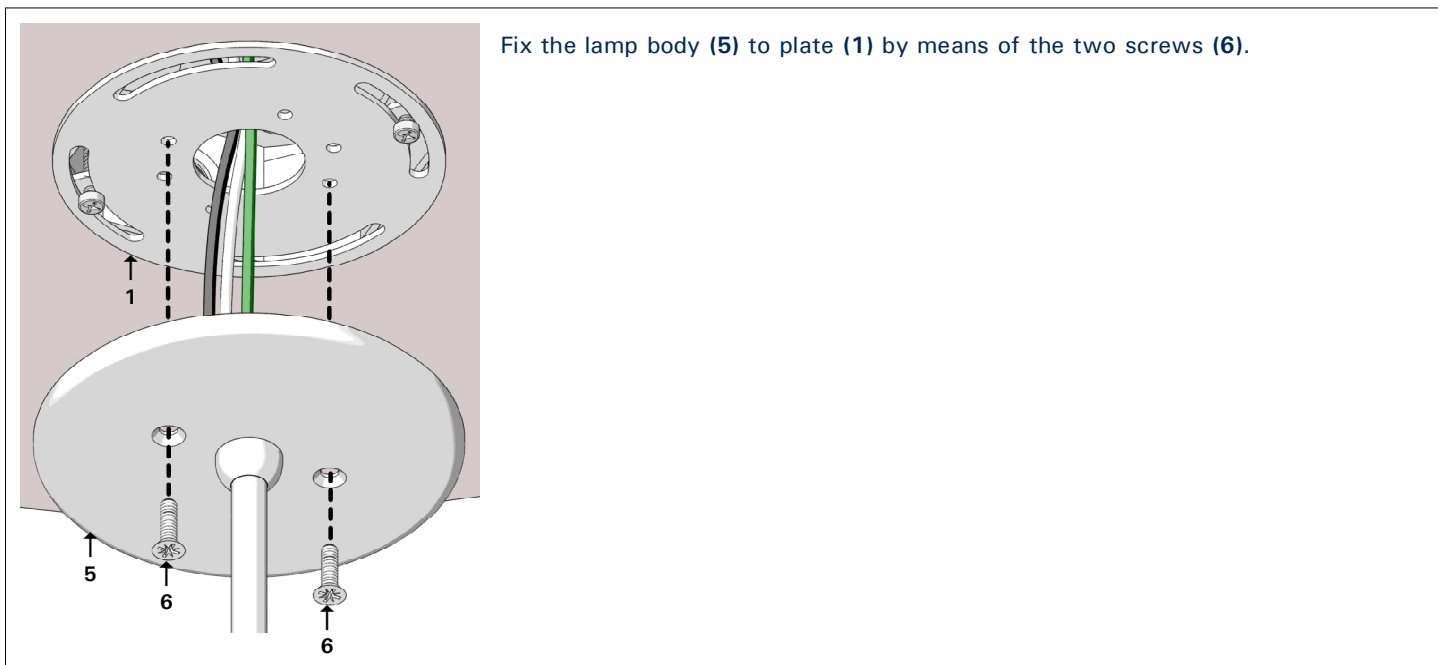
In case of damage to the feeding cable, please contact a FontanaArte dealer or qualified personnel for replacement.



Make the cables coming from the fixture go through the hole in plate (1). Make the electrical connections between the white cable coming from the fixture and the white cable of the j-box, and between the black cable coming from the fixture to the black cable of the j-box. Also connect the green cable coming from the fixture to the green cable of the j-box. Fasten plate (1) to the j-box by means of the two screws (2).



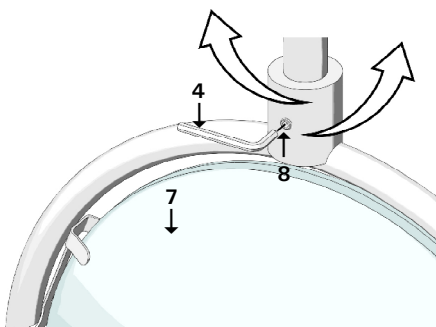
For models 3085 and 3358, before installing the fixture, adjust the telescopic stem at the desired height by loosening dowel (3) by means of the Allen wrench (4) supplied and cut the exceeding cable.



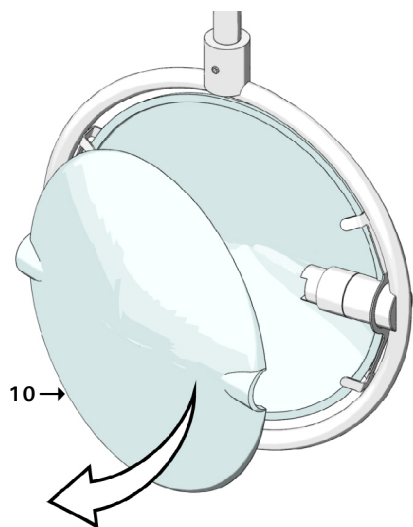
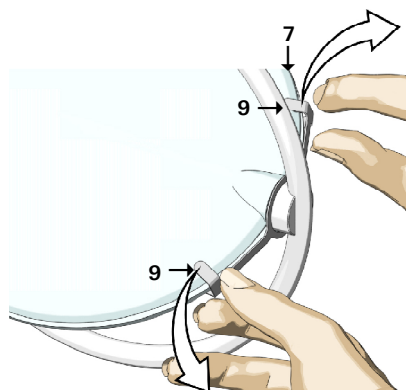
Fix the lamp body (5) to plate (1) by means of the two screws (6).

3022, 3085, 3358

To adjust the position of diffuser (7), loosen dowel (8) by means of the Allen screw (4) supplied.



To replace the bulb, rotate diffuser (7) to a horizontal position, unhook springs (9) and take off glass (10).



Replace the bulb by inserting it into the lamp holder and avoiding touching it with bare hands. Put glass (10) again and fix it by means of springs (9).

