



WEVER & DUCRÉ
LIGHTING

TUBE CARRÉ WALL 1.0 PAR16

744120A0

Project

Type

Notes

Quantity

Date

GENERAL

Wall

Surface

Anthracite Grey

IP65

Exterior

355^a to 360^b lm

LED

Lamp PAR16

PAR16

Socket GU10

max. 5 W

OPTICAL

Beam angle 38°

PHYSICAL

Length 79 mm

Width 79 mm

Height 82 mm

0.71 kg

ELECTRICAL

100 - 240 V

Total connected power 5.5^b to 6.4^a W

PC1

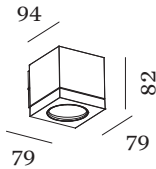
Safety distance 0.3 m

^a LED 2700K CRI 80 silver

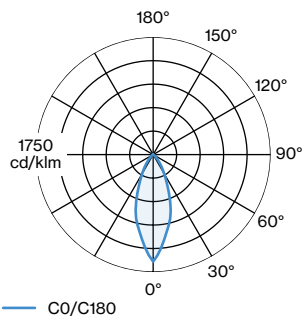
^b LED 3000K CRI 80 silver



IP65  



LIGHT DISTRIBUTION



[744120A0] The technical data represent rated values for an ambient temperature of 25°C. The data values for the luminous flux are initially subject to a tolerance of +/- 10%, those for the electrical connected load are initially subject to a tolerance of +/- 10%, and those for the colour temperature are initially subject to a tolerance of +/- 150 K. No liability is assumed for typographical or printing errors. The general terms and conditions of Wever & Ducré BVBA apply.
© Wever & Ducré BVBA · Spinnerijstraat 99/21 · 8500 Kortrijk · Belgium · www.weverducre.com



WEVER & DUCRÉ
LIGHTING

TUBE CARRÉ WALL 1.0 PAR16

744120A0

CONE DIAGRAM

LED 2700K CRI ≥ 80 Silver

h (m)	EO° (lx)	ø (m)
1	640	0.68
2	160	1.37
3	71	2.05
4	40	2.74
5	25	3.42

ELECTRICAL

PAR16 LED Lamp

TYPE	Ø · H (MM)	ORDERCODE
2700K >80 CRI GU10	ø51-55	9 0 5 2 2 7 S 2
3000K >80 CRI GU10	ø51-55	9 0 5 2 2 7 S 4
2700K GU10		9 0 5 2 2 8 S 2