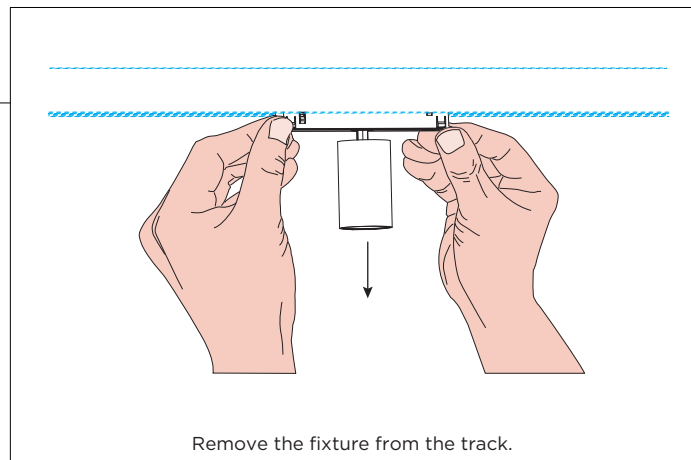
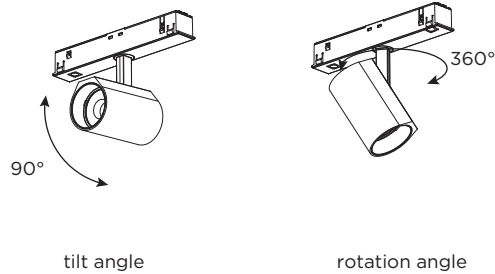
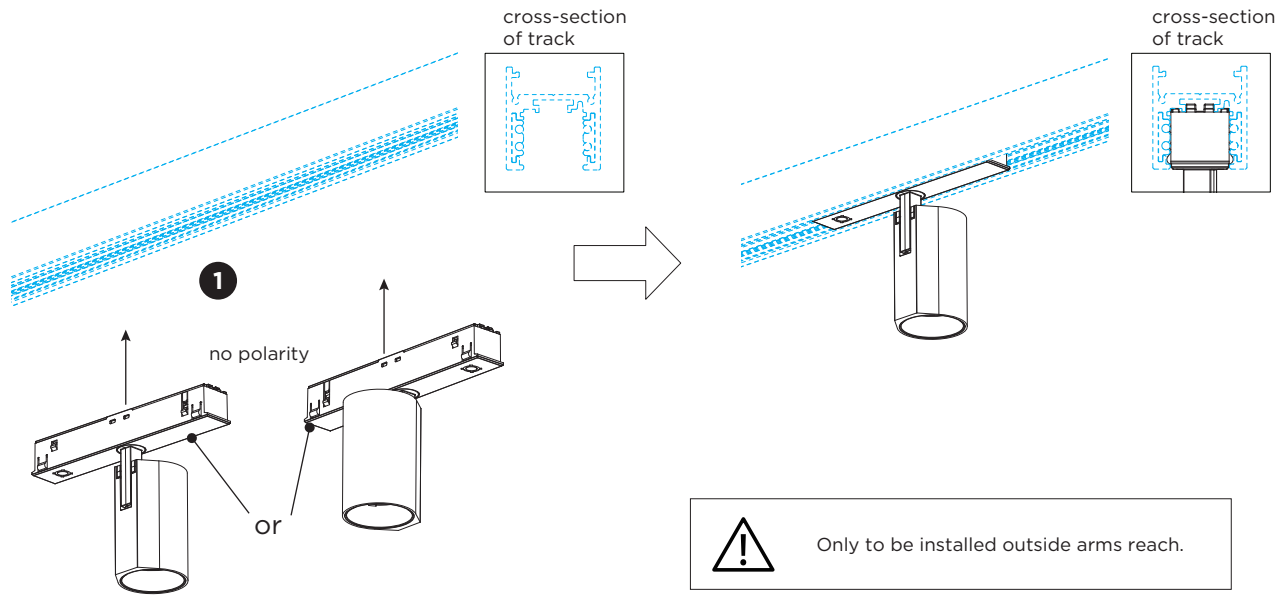
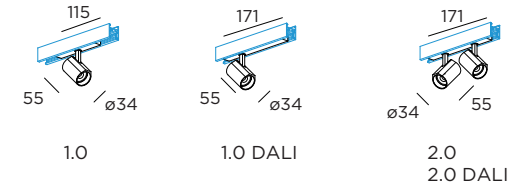


CENO on track

INSTALLATION INSTRUCTIONS | NOVEMBER 2022



DIMENSIONS

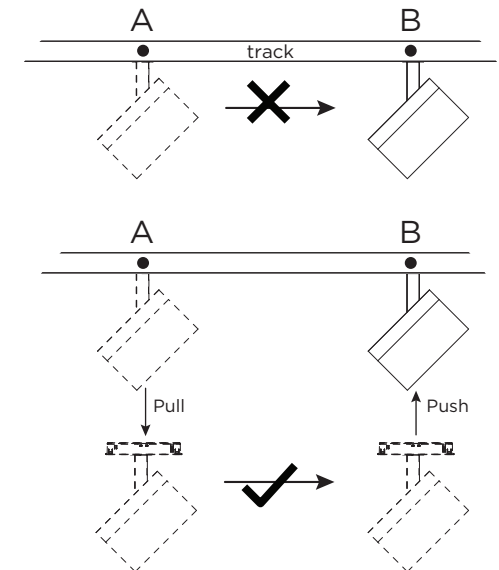


MOUNTING INSTRUCTION

- 1 Push the fixture into the track at the preferred location.



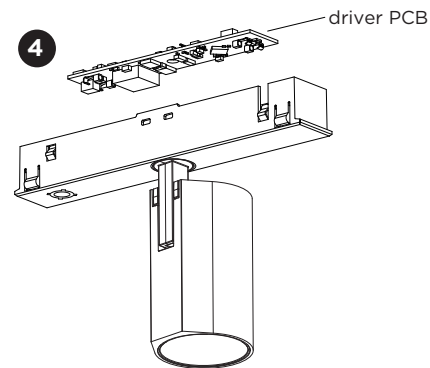
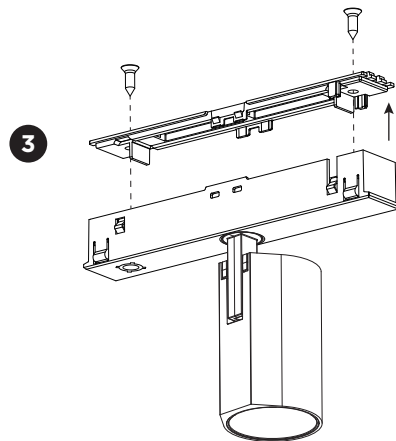
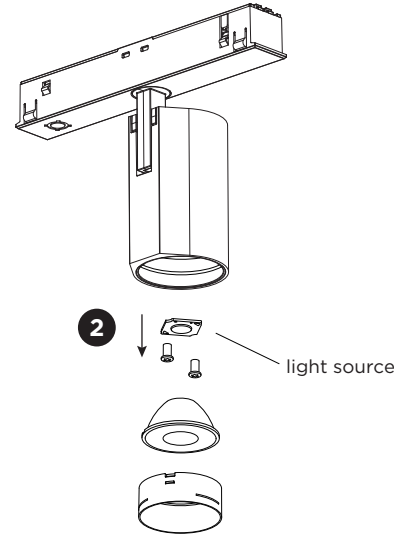
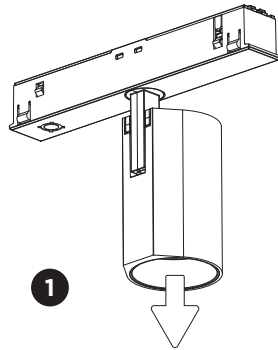
Note: it's not allowed to slide the fixture in the track. If you want to change location of the fixture in the track, please pull the fixture out of the track and install it on the correct position.



PB19-010-678-00_v4

CENO on track

INSTALLATION INSTRUCTIONS | NOVEMBER 2022



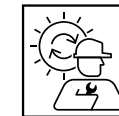
DISMOUNTING AND RECYCLING INSTRUCTIONS

Light source & driver

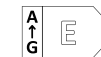
- 1 Pull out the lens cover.
- 2 Take out the lens and unscrew the light source to remove it.
- 3 Unscrew the top screws and remove the lid.
- 4 Disconnect the wires and remove the driver PCB.



The driver is replaceable by an authorized professional. For advice contact your Wever & Ducré customer service contact point.



The light source is replaceable by an authorized professional. For advice contact your Wever & Ducré customer service contact point.



This luminaire contains a light source with the energy class E.