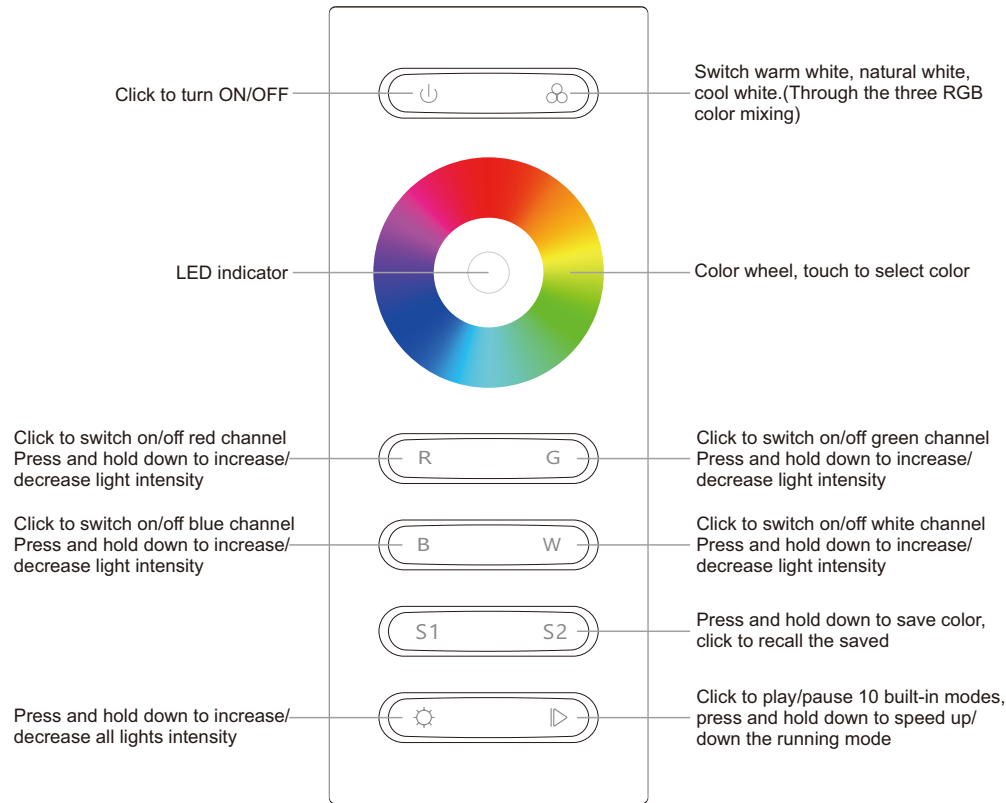


19015-01 RF RGBW Remote Controller

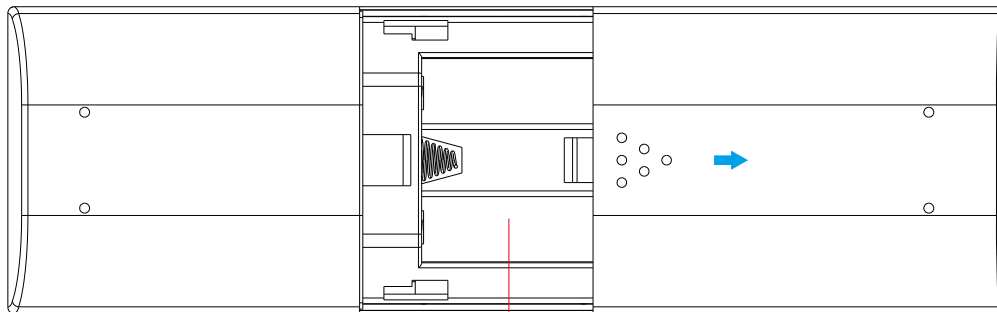


Important: Read All Instructions Prior to Installation

Function introduction



Front side



4.5V(3xAAA battery)

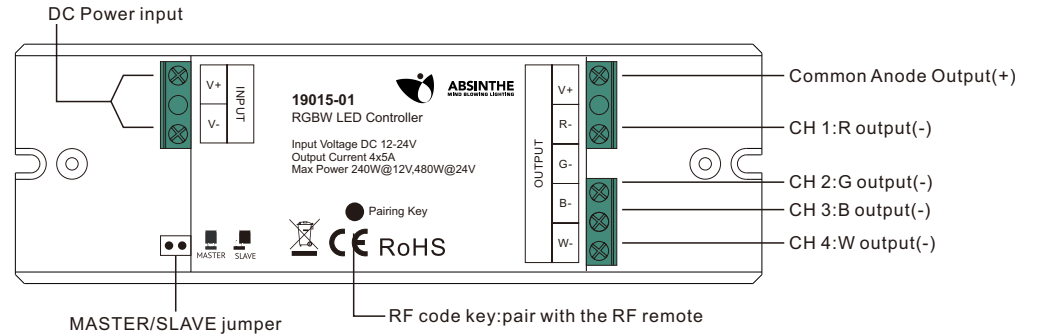
Back side

Product Data

Output	RF signal
Operation Frequency	868/915/434MHz
Power Supply	4.5V(3xAAA battery)
Operating temperature	0-40°C
Relative humidity	8% to 80%
Dimensions	120x48x17.6mm

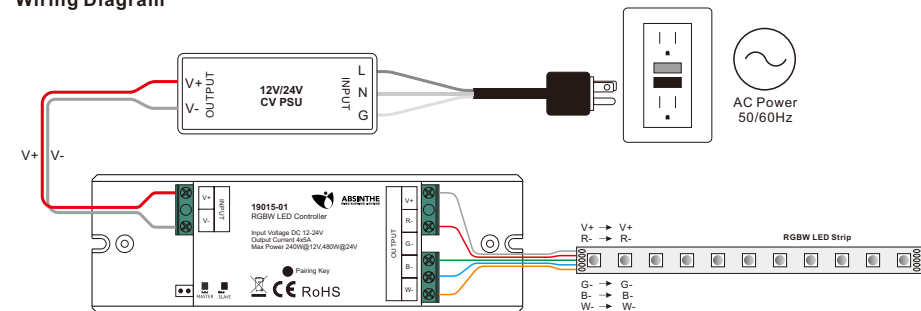
- Control 1 zone of RF receiver
- RGBW color controller
- Compatible with universal serie RF receiver
- 1 receiver can be paired by max 8 different remote controls.
- Waterproof grade: Ip20

Receiver



Input Voltage	Output Current	Output Power	Remarks	Size(LxWxH)
12-24VDC	4x5A	4x(60-120)W	Constant voltage	145x46.5x16mm

Wiring Diagram



Operation

Pair with RF receivers:

Turn on the remote → Click "RF Code Key" on RF receiver → Touch the color wheel → LED lights connected with the RF receiver will flicker once → The receiver is paired with the remote successfully.

How to delete the pairing:

Press and hold down "RF Code Key" on the receiver for over 3 seconds until connected LED lights flicker twice, which means the pairing is deleted successfully.

CE MARKING

This product complies with all of the relevant European guidelines and regulations. For radio equipment Sunricher declares that the radio equipment in this manual conforms with the 2014/53/EU directive. If applicable, the full text of the EU Declaration of Conformity can be found on www.sunricher.com.