

# FLOS



03.9476.14A Black/Black

## Light Shadow Adjustable No Trim 12 Spots Optic Flood

Designed by FLOS Architectural



Recessed integrated luminaire with 12 LED lighting spots. Remote power supply included (220-240V).

Are you a professional and your project needs consulting and support?

[BOOK AN APPOINTMENT](#)

### Main specifications

Mounting	Ceiling recessed
Environments	Indoor dry location
LED type	Power LED
Lamp category	LED
Iicos	No
Number of heads	1
Power (W)	32.4
Source flux (lm)	3420
System flux (lm)	2755

### Physical

Colour	Black/Black
Trim	No
Orientation	Adjustable
Longitudinal tilting (°)	30
Recessed depth (mm)	75
Length (mm)	429
Net weight (kg)	0.66
IP internal	20
IP external	20

Drawing Thumbnail

### Download

Mounting instructions [↓ ZIP](#)

### Photometric Files

LDT / IES [↓ ZIP](#)

### Technical Drawings

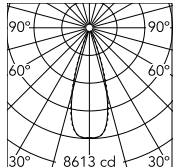
2D [↓ ZIP](#)

3D [↓ ZIP](#)

Bim [↓ ZIP](#)



## Schematic light drawing



Beam Angle: 33°

h(m)	E(lx)	D(m)
1	8613	0.60
2	2153	1.19
3	957	1.79
4	538	2.39
5	345	2.99

Luminous flux luminaire  
2755 lm (EXTREME CUT OFF)

### Photometric

Lighting type	Direct
Light distribution	Symmetric
CCT (K)	3000
CRI>	90
Beam angle C0-180 (°)	33
Beam angle C90-270 (°)	33

### Electrical

Insulation class	II
Frequency (Hz)	50/60
Main voltage (Vac)	220.00
Alternating current voltage (Vac)	230
LED voltage Vf (Vdc)	36
Driver	Remote included
Dimmable	No
Emergency type	No

### Notes

It requires a pre-installation frame, to be ordered separately.

## Accessories & Power Supply

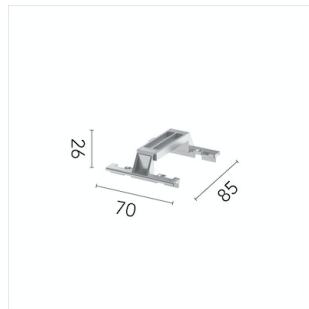


REQUIRED  
Frame

Installation

08.0518.00

Pre-installation No Trim Frame  
12L Fix Adjustable



OPTIONAL  
Accessory

Mounting

08.0059.90

Accessory for mounting of No  
Trim Adjustable continuous line.