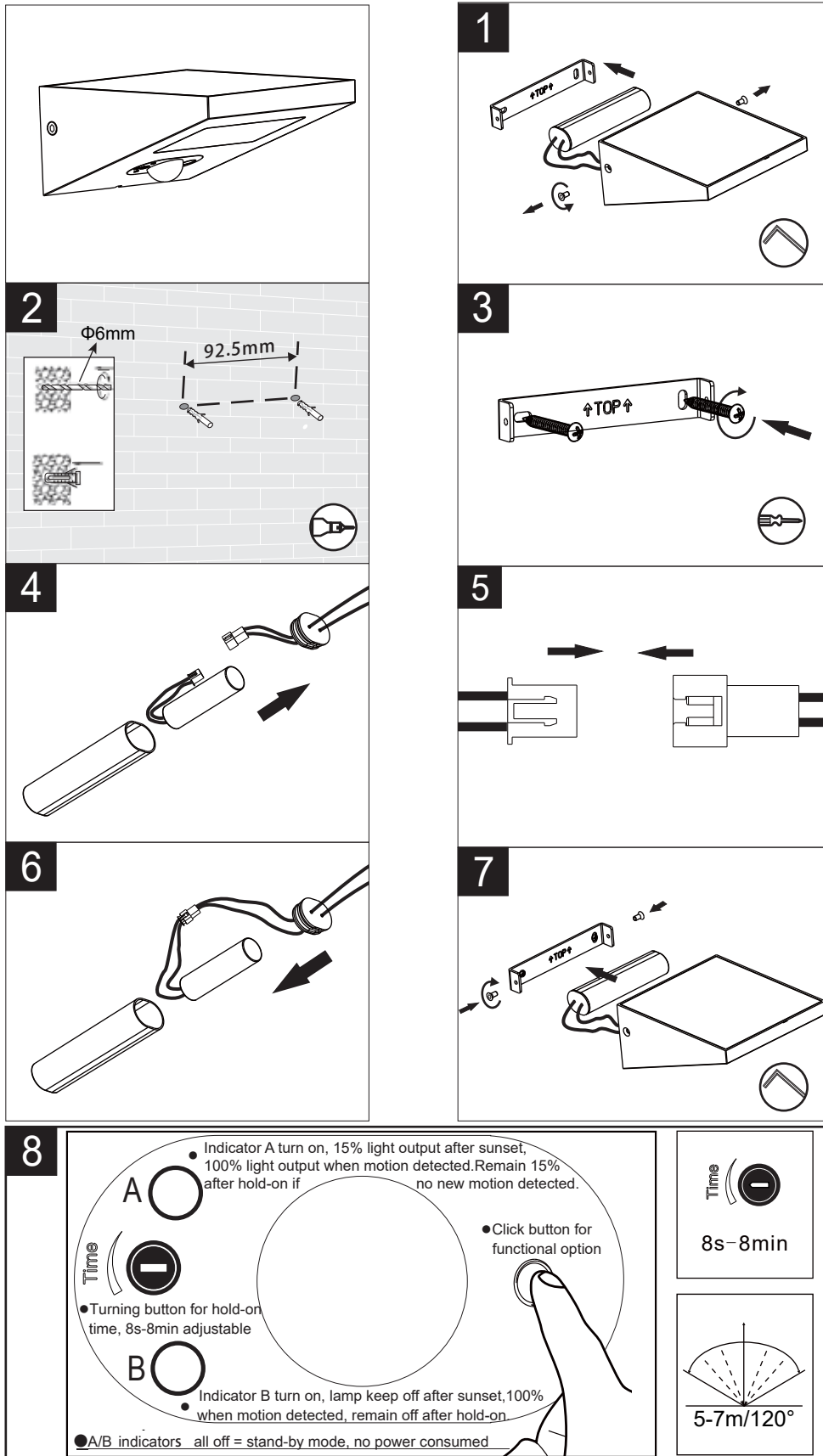


# User Manual



**1**

**2**

$\Phi 6\text{mm}$

92.5mm

**3**

**4**

**5**

**6**

**7**


**8**

Indicator A turn on, 15% light output after sunset, 100% light output when motion detected. Remain 15% after hold-on if no new motion detected.

Indicator B turn on, lamp keep off after sunset, 100% when motion detected, remain off after hold-on

● A/B indicators all off = stand-by mode, no power consumed

● Click button for functional option

Time 

8s-8min

5-7m/120°

Notice: Please clean the solar panel every two weeks to keep good condition.