

# Spiral SP1

*Design by* VERNER PANTON

*Please read thoroughly before assembly*

1

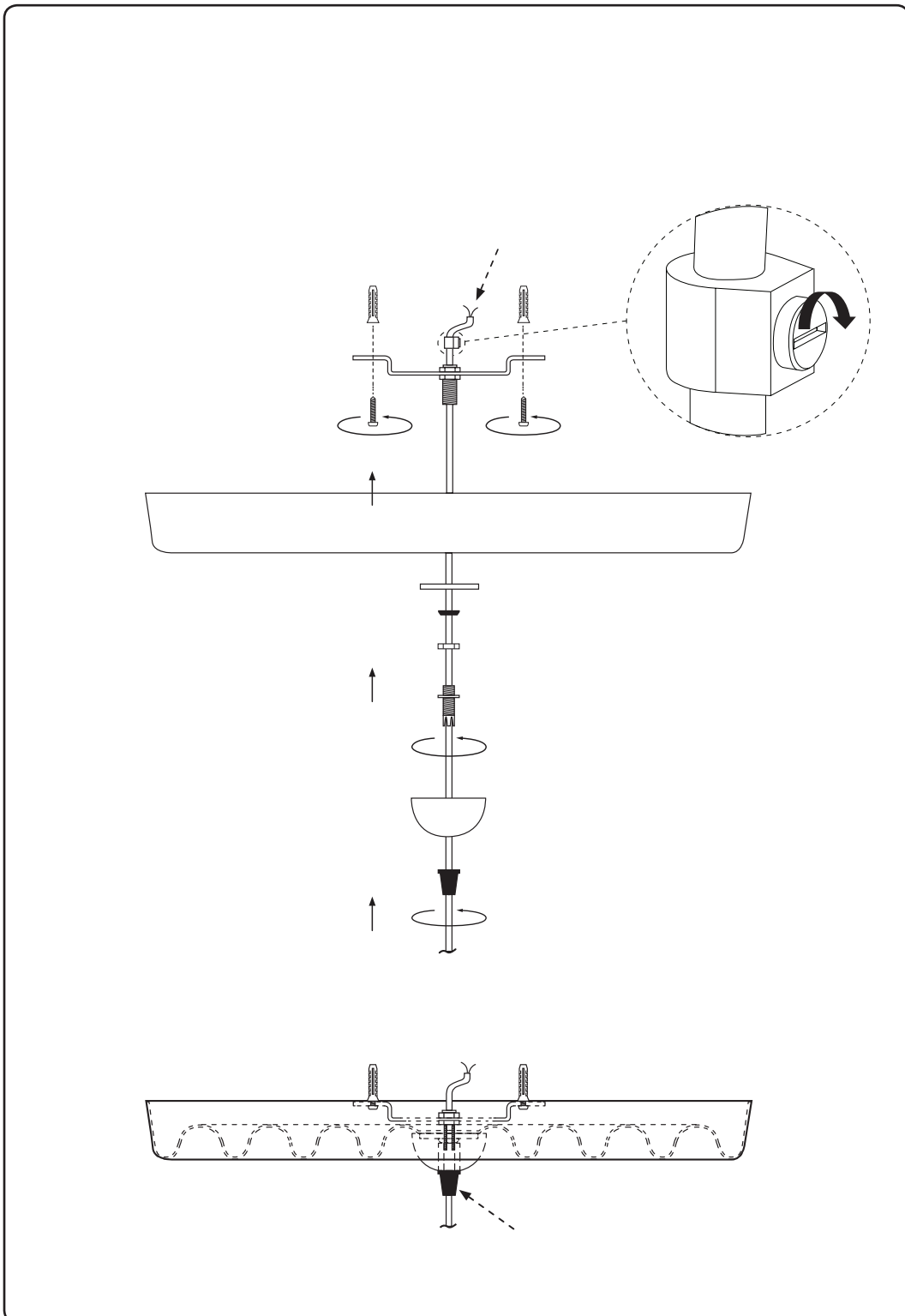
**IMPORTANT!**

ALWAYS TURN OFF THE ELECTRICAL CURRENT BEFORE  
INSTALLING ANY FIXTURE!

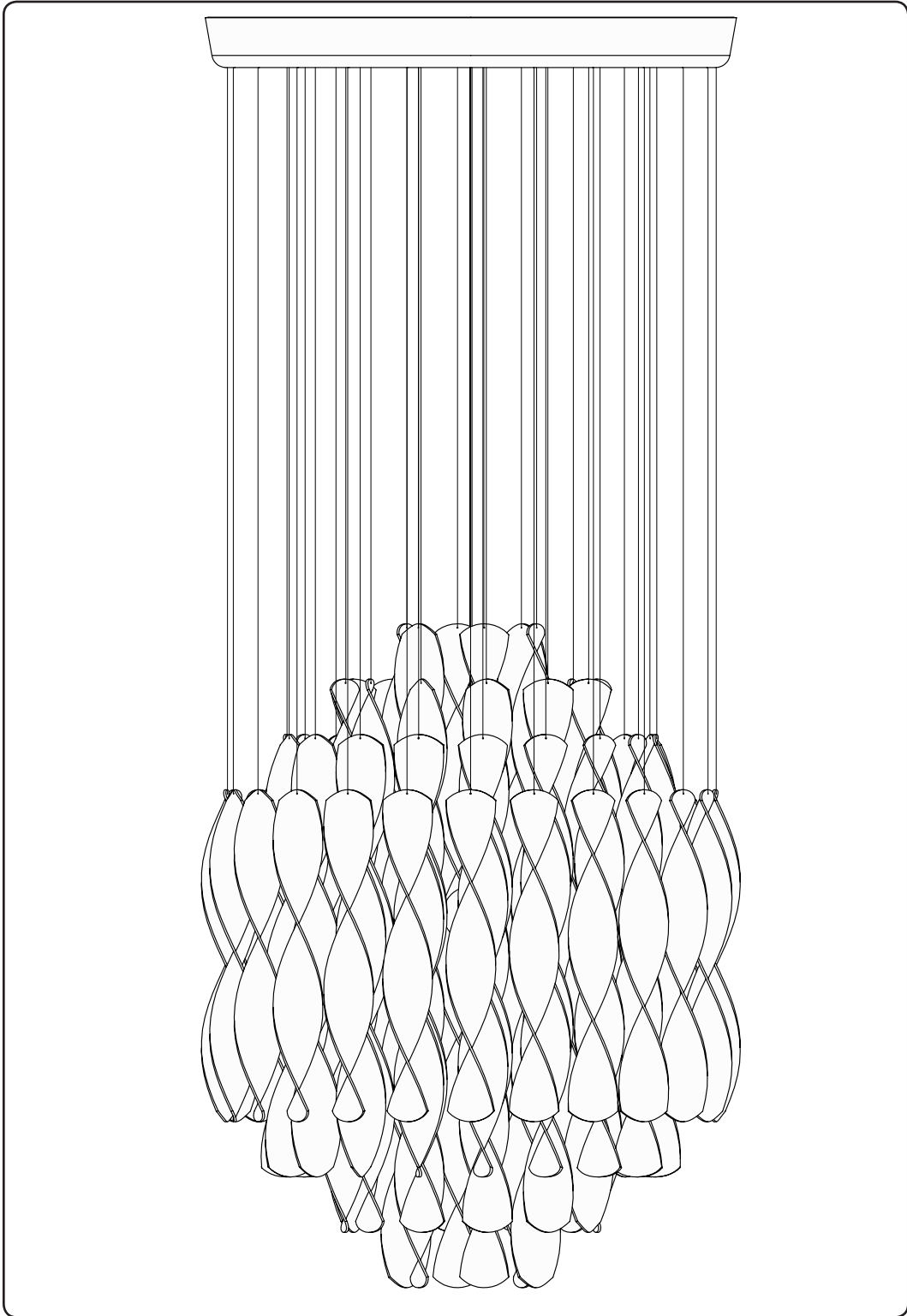
BE SURE THAT THE CEILING OUTLET BOX IS MOUNTED SO  
THAT IT CAN CARRY THE WEIGHT OF THE ENTIRE LAMP!

THERE MUST BE NO WEIGHT ON THE ELECTRIC WIRES!

2



3



**HOW TO CLEAN:**

Clean with a soft cloth, warm water and a mild detergent.  
Do NOT use any abrasive materials.

DESIGNED  
IN THE PAST  
**MADE FOR**  
**TOMORROW**

VERPAN ApS  
*Egeskovvej 29*  
8700 Horsens  
Denmark

[www.verpan.com](http://www.verpan.com)

[info@verpan.com](mailto:info@verpan.com)