



WEVER & DUCRÉ
LIGHTING

TUBE CARRÉ 1.0 PAR16

734220B0

Project

Type

Notities

Kwantiteit

Datum

ALGEMEEN

Plafond

Opbouw

Gitzwart

IP65

Exterieur

355^a tot 360^b lm

RAL 9005^c

LED

Lamp PAR16

PAR16

Socket GU10

max. 5 W

CRI 80

OPTISCH

Beam angle 38°

FYSISCH

Lengte 79 mm

Width 79 mm

Height 104 mm

0.69 kg

ELEKTRISCH

100 - 240 V

Totaal aangesloten vermogen 4.1^b tot 4.8^a W

Klasse 1

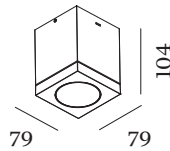
Veiligheidsafstand 0.3 m

^a PAR16 LED 2700K CRI 80 zilver

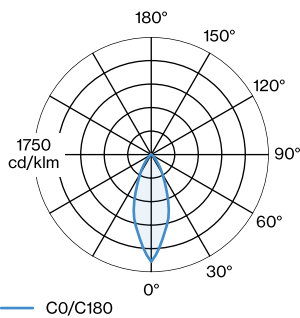
^b LED 3000K CRI 80 zilver

^c Color may deviate slightly due to production conditions.

IP65   



LICHTVERDELING





WEVER & DUCRÉ
LIGHTING

TUBE CARRÉ 1.0 PAR16

734220B0

KEGELDIAGRAM

PAR16 LED 2700K CRI ≥ 80

h (m) E0° (lx) (m)

| | | |
|---|-----|------|
| 1 | 640 | 0.68 |
| 2 | 160 | 1.37 |
| 3 | 71 | 2.05 |
| 4 | 40 | 2.74 |
| 5 | 26 | 3.42 |

ARMATUREN

PAR16 LED lamp

| TYPE | Ø · H (MM) | ORDERCODE |
|------------------------|------------|-----------------|
| 2700K >80 CRI GU10 | ∅50 · 52 | 9 0 5 2 2 7 S 2 |
| 3000K >80 CRI GU10 | ∅50 · 52 | 9 0 5 2 2 7 S 4 |