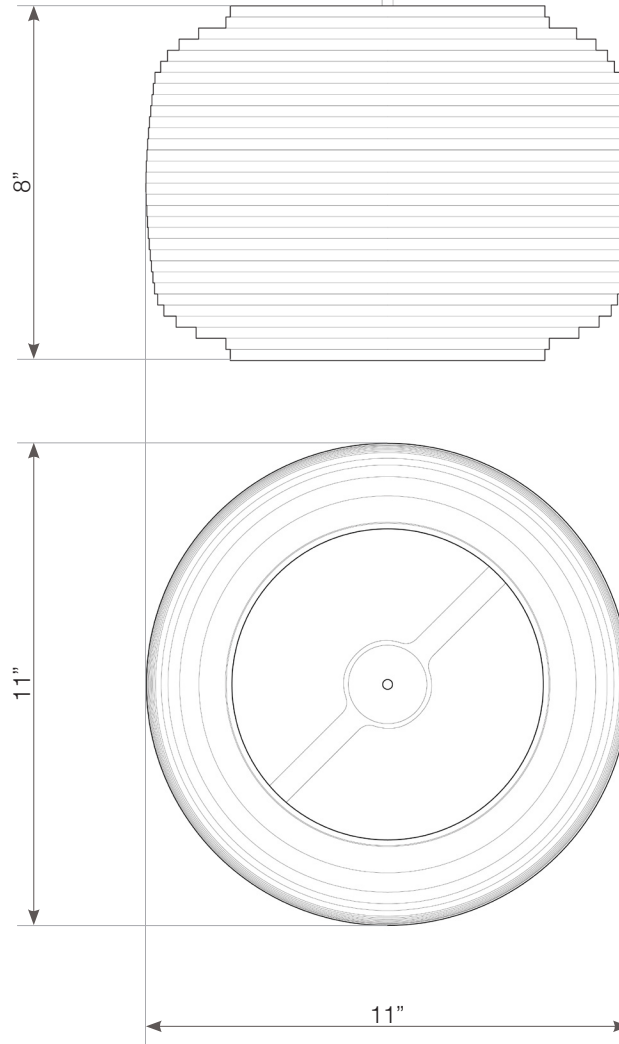







3220 1st ave s #400, seattle, wa 98134 | 206.420.3912  
seattle@graypants.com | graypants.com



# AUSI\_11

-  75W maximum incandescent A19 E26 (120V)
-  GU24 twist lock sockets available (120V/277V)
-  26W maximum fluorescent GX24Q (120V/277V)

*Equivalent W dimmable LED bulbs compatible. 2700K color temperature recommended.*

-  repurposed cardboard
-  proudly designed and made in seattle | usa
-  responsible handmade quality <sup>1</sup>
-  nontoxic fire retardant treated <sup>2</sup>
-  compressed air recommended cleaning
-  use in dry location only
-  designed to recycle
-  patent pending



## hardwired cord set + ceiling canopy

*INCLUDES 8' CORD AND POWDER COATED STEEL CANOPY (5" FOR E26/GU24, 8" FOR GX24Q). CORDS AND MATCHING CANOPIES ARE AVAILABLE IN BLACK OR WHITE. CUSTOM CORD LENGTHS ARE AVAILABLE FOR AN ADDITIONAL CHARGE.*

<sup>1</sup> Scraplight shades are non-toxic and are handmade using responsible, low-impact practices. Because all Scraplights are handmade, dimensions may vary slightly.  
<sup>2</sup> Scraplight shades are treated with No-Burn® fire retardant. All No-Burn® spray coatings are GREEN with low to zero VOCs, and all carry a Class-A fire rating.