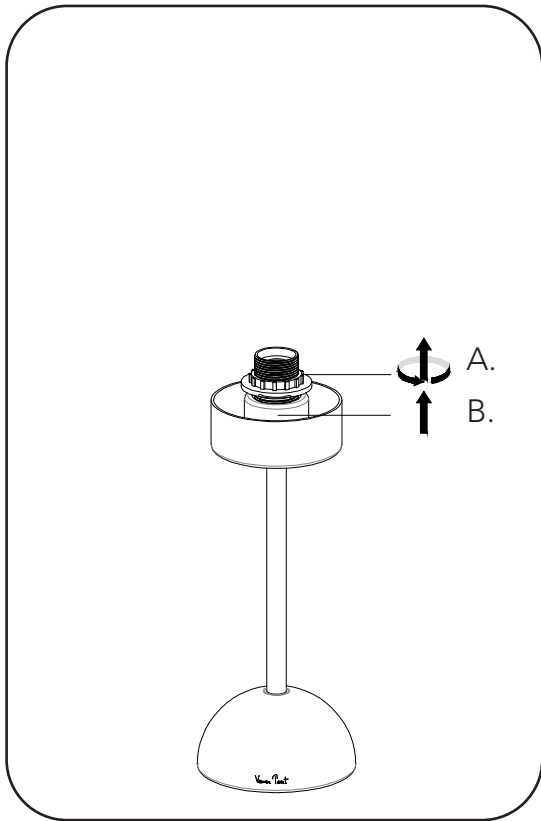


# Pantop Table lamp

*Design by* VERNER PANTON

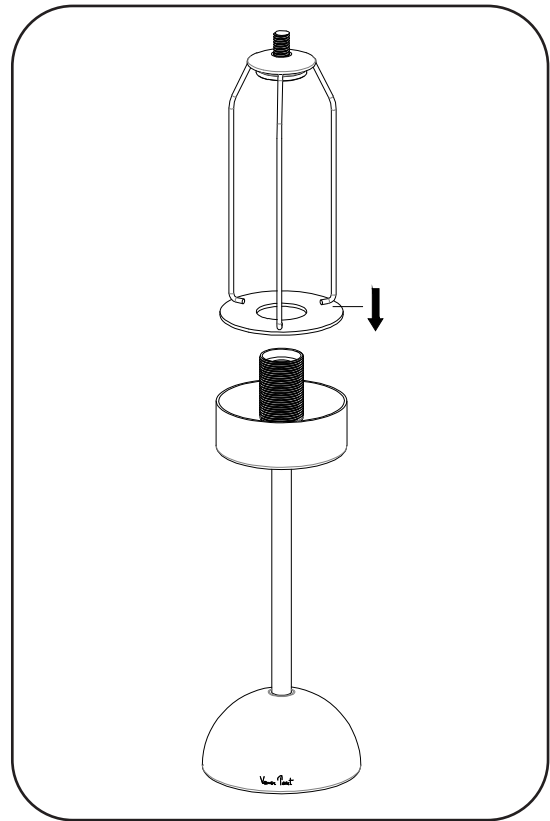
*Please read thoroughly before assembly*

1



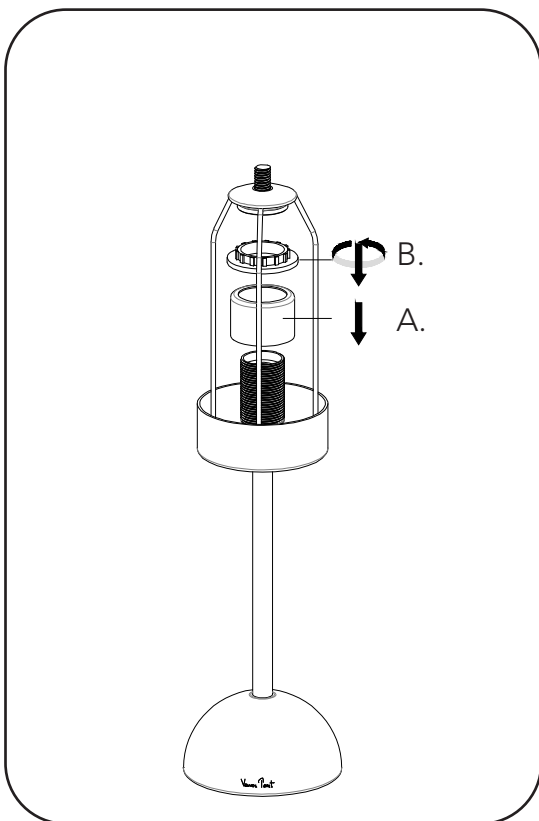
- A. Unscrew plastic fastener from the mount.
- B. Remove metal spacer.

2



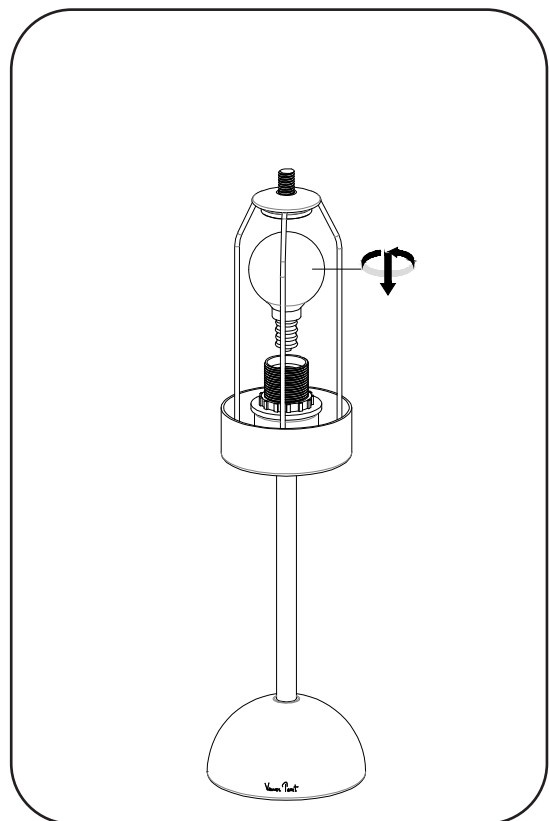
Place the shade mounting stem.

3



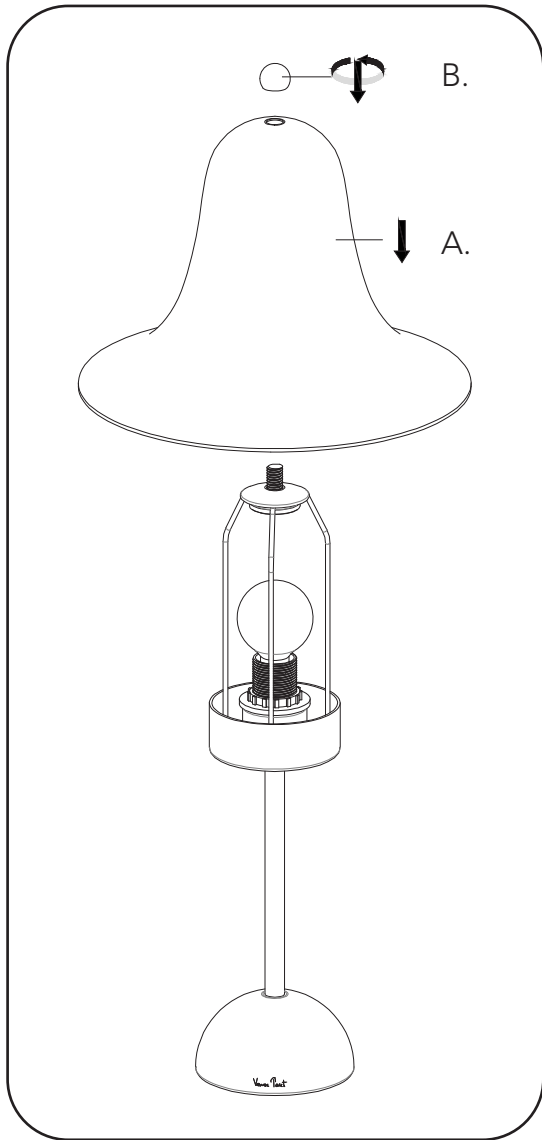
- A. Place metal spacer.
- B. Fasten plastic fastener.

4

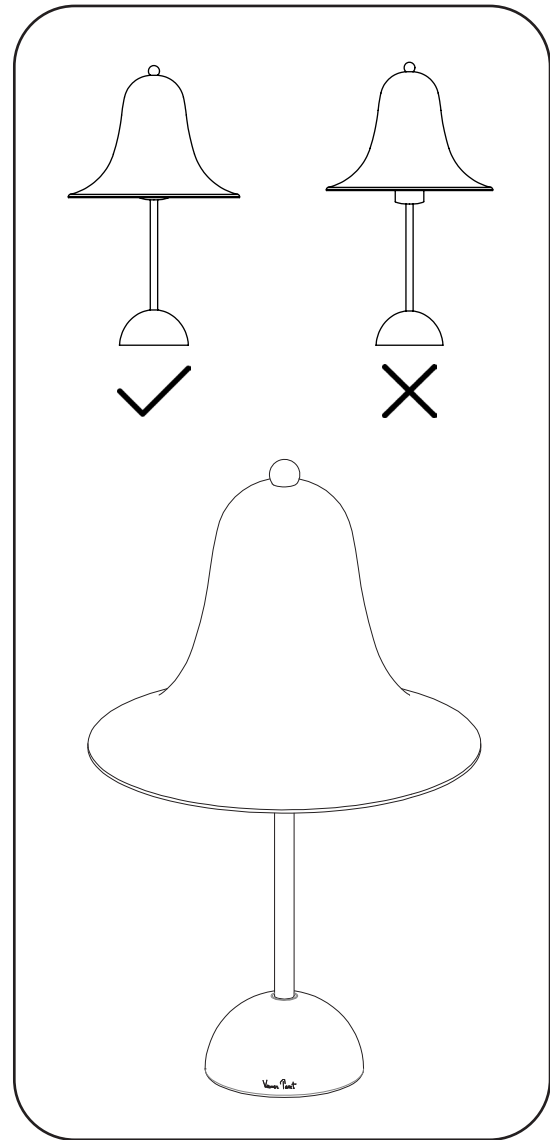


Insert lightbulb.

5



6



- A. Place shade on mounting stem.
- B. Fasten the round top knob.

#### HOW TO CLEAN:

CLEAN WITH A SOFT CLOTH, WARM WATER AND A MILD DETERGENT. DO NOT USE ANY ABRASIVE MATERIALS.

---

#### IMPORTANT

IF THE EXTERNAL FLEXIBLE CABLE OR CORD OF THIS LUMINAIRE IS DAMAGED, IT SHALL BE EXCLUSIVELY REPLACED BY THE MANUFACTURER OR HIS SERVICE AGENT OR A SIMILAR QUALIFIED PERSON IN ORDER TO AVOID A HAZARD.

DESIGNED  
IN THE PAST  
**MADE FOR**  
**TOMORROW**

VERPAN ApS  
*Egeskovvej 29*  
8700 Horsens  
Denmark

[www.verpan.com](http://www.verpan.com)

[info@verpan.com](mailto:info@verpan.com)