

VENN 2.0

17-02-2016

2.0

LED (47W) | 220-240VAC | 50-60Hz | PCB3-step | phase-cut dim

CE IP20 660°C 10.3m P

3000K | >80CRI | direct 400lm, indirect 2500lm

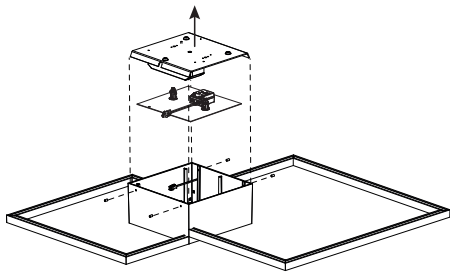
White texture

149284W4

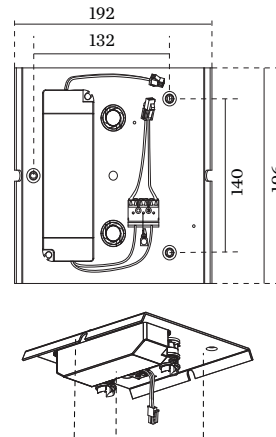
Black texture

149284B4

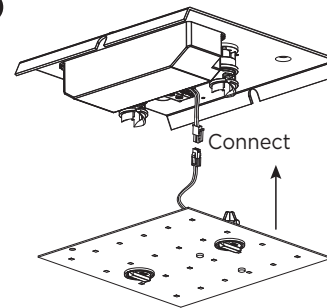
①



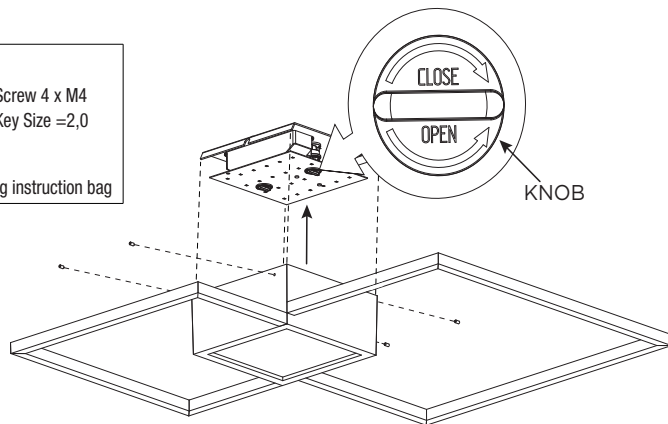
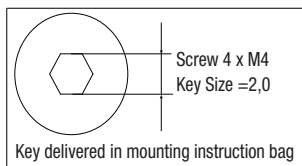
②



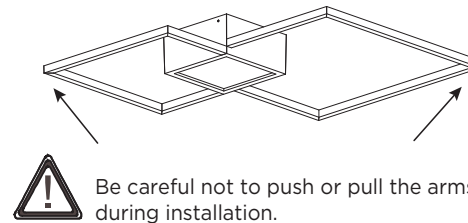
④



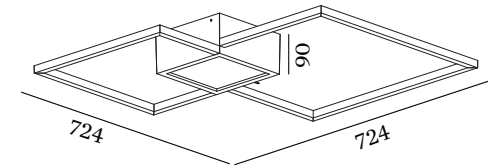
⑤



⑥



DIMENSIONS

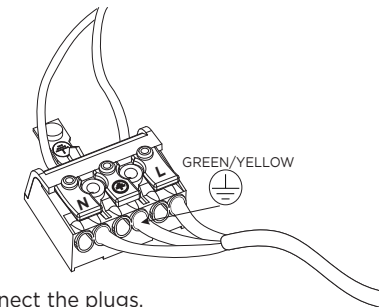


MOUNTING PLATE FIXATION

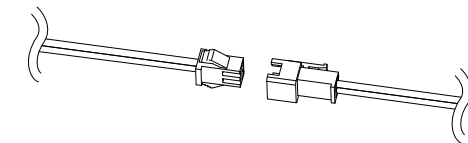
- ① Remove the mounting plate & PCBA combination and twist the two knobs (SEE DRAWING 5) of PCBA to open to separate them.
- ② Fixate the mounting plate to the wall/ceiling with screws.

POWER CONNECTION

- ③ Connect the terminal block.



Connect the plugs.



- ④ Connect the PCBA on the mounting plate and twist the two knobs to close
- ⑤ Fixate the lamp base back to the mounting plate.
- ⑥ Complete



WEVER & DUCRÉ
LIGHTING

www.weverducre.com

INSTALLATION
INSTRUCTIONS
PAGE 1/2

VENN 2.0

DETAILED MOUNTING INSTRUCTION
17-02-2016

DETAILED DIMENSIONS VENN:

