

SIRRO 1.0

04-Jan.-2019

1.0 LED - ceiling surfaced

LED 10W | 220-240VAC | 50-60Hz | COB 3-step | incl. PS | phase-cut dim

CE IP20 (0,3m) (P) 36° 35°/35° 355°

white texture	139164W
white texture + black	139164E
aluminium brushed + black	139164F
black texture	139164B

LIGHT COLOUR

2700K >90CRI 590lm	3
3000K >90CRI 640lm	5
1800-2850K >95CRI 440lm	9

1.0 PAR16 - ceiling surfaced

PAR16 max. 35W | GU10 | 100-240VAC | 50-60Hz

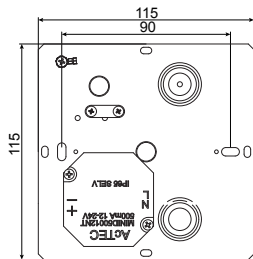
CE IP20 (0,9m) (P) 35°/35° 355°

white texture	139120W0
white texture + black	139120E0
aluminium brushed + black	139120F0
black texture	139120B0

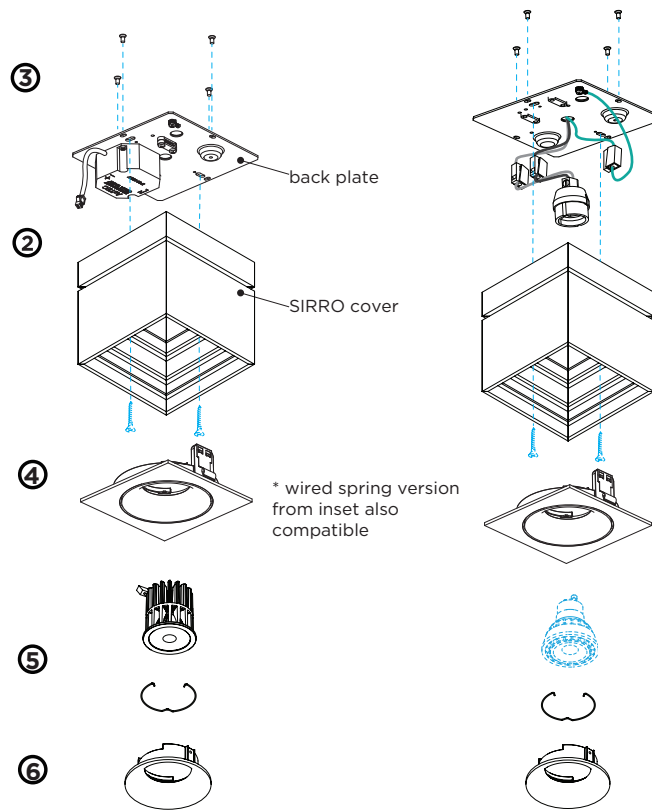
OPTIONAL

for PAR16 lamps see our catalogue

back plate dimensions

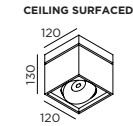


CEILING SURFACED



* wired spring version from inset also compatible

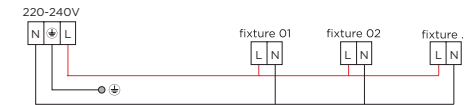
DIMENSIONS



MOUNTING INSTRUCTION

POWER CONNECTION

- 1 PARALLEL CONNECTION - for LED and PAR16



- 2 Attach the back plate to the SIRRO cover with the 4 screws.
- 3 Mount the back plate on the ceiling.
- 4 Insert the outer part of the inset module into the SIRRO cover
- 5 Insert the lamp into the inner part of the inset module
- 6 Click the inner part of the inset module into the outer part



CAUTION: NO HOT PLUGGING!

Before connecting the luminaire the converter needs to be disconnected from the power supply. If this instruction is disregarded the luminaire might be damaged or destroyed.

SIRRO 1.0

04-Jan.-2019

1.0 LED - suspended

LED 10W | 220-240VAC | 50-60Hz | COB 3-step | incl. PS | phase-cut dim

CE IP20 0.3m 36° 35°/35° 355°

white texture	139564W
white texture + black	139564E
aluminium brushed + black	139564F
black texture	139564B

LIGHT COLOUR

2700K >90CRI 590lm	3
3000K >90CRI 640lm	5
1800-2850K >95CRI 440lm	9

1.0 PAR16 - suspended

PAR16 max. 35W | GU10 | 100-240VAC | 50-60Hz

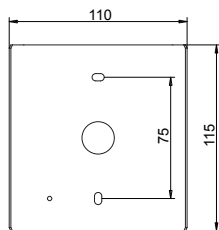
CE IP20 0.9m 35°/35° 355°

white texture	139520W0
white texture + black	139520E0
aluminium brushed + black	139520F0
black texture	139520B0

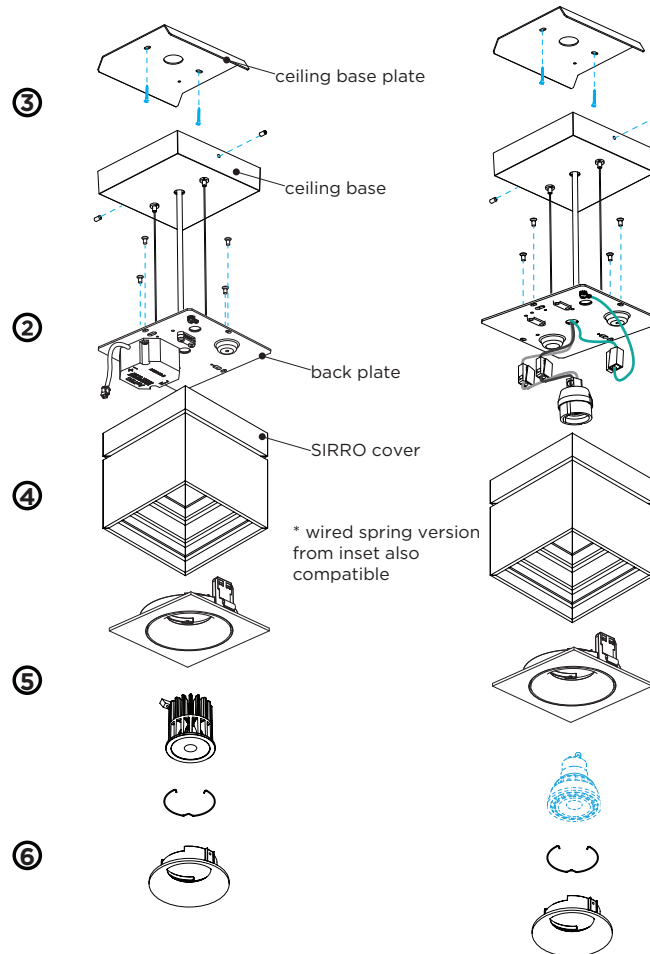
OPTIONAL

for PAR16 lamps see our catalogue

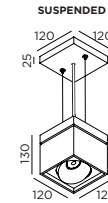
ceiling base plate dimension:



SUSPENDED



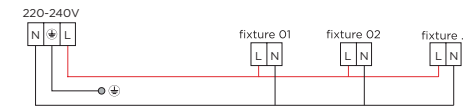
DIMENSIONS



MOUNTING INSTRUCTION

POWER CONNECTION

- 1 PARALLEL CONNECTION - for LED and PAR16



- 2 Attach the back plate to the SIRRO cover with the 4 screws.
- 3 Mount the ceiling base plate on the ceiling, and lock the ceiling base on its plate with the two allen screws.
- 4 Insert the outer part of the inset module into the SIRRO cover
- 5 Insert the lamp into the inner part of the inset module
- 6 Click the inner part of the inset module into the outer part



CAUTION: NO HOT PLUGGING!

Before connecting the luminaire the converter needs to be disconnected from the power supply. If this instruction is disregarded the luminaire might be damaged or destroyed.